



SETUP SHEET

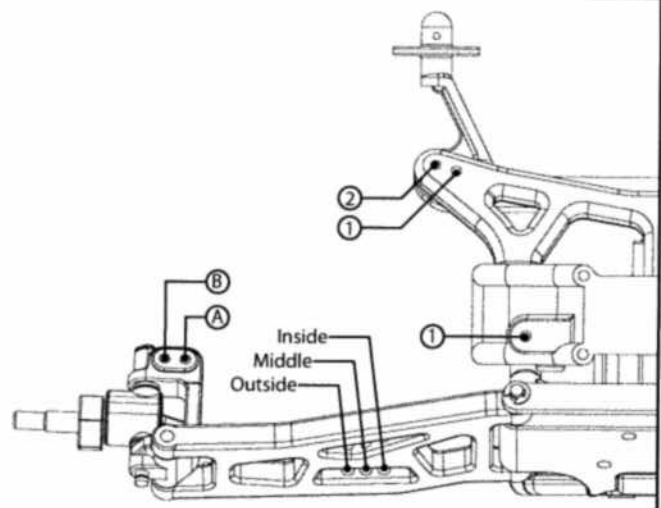


Name: _____ Date: _____ Event: _____
 City: _____ State: _____ Track: _____

Track Indoor Tight Smooth Hard Packed Blue Groove Wet Low Bite High Bite
 Conditions Outdoor Open Rough Loose/Loamy Dry Dusty Med Bite Other _____

Front Suspension

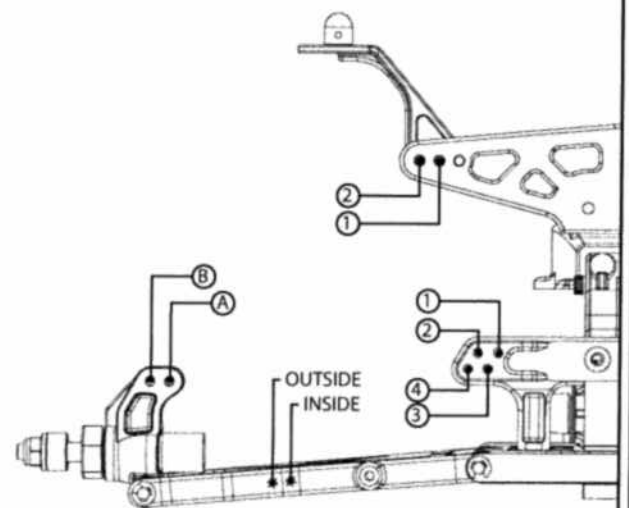
Toe: 0°
 Ride Height: ARMS LEVEL
 Camber: -2°
 Caster: STOCK
 Oil: 35 WT
 Piston: STOCK
 Spring: STOCK
 Limiters: N/A
 Spindle Height: N/A
 Bump Steer: STOCK
 Camber Link: 1-B
 Shock Location: 1 - OUTSIDE



Notes: _____

Rear Suspension

Toe: STOCK PIVOT 1° HUBS (LOS A 9807)
 Ride Height: ARM JUST BELOW LEVEL
 Camber: ~~2~~ -2°
 Hub Spacing: HUBS BACK
 Drive Shafts/Outdrives: _____
 Oil: 40 WT
 Piston: STOCK
 Spring: STOCK
 Limiters: N/A
 Camber Link: 2-B
 Shock Location: 2 - OUTSIDE
 Battery Position: MIDDLE



Notes: 3/4 oz ON REAR CAMBER SUPPORT BRACE

Tires: Type _____ Compound _____ Insert _____ Additive _____ Motor: _____
 Front: _____ Spur: _____
 Rear: _____ Pinon: _____
 Notes: _____
