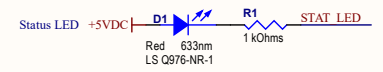
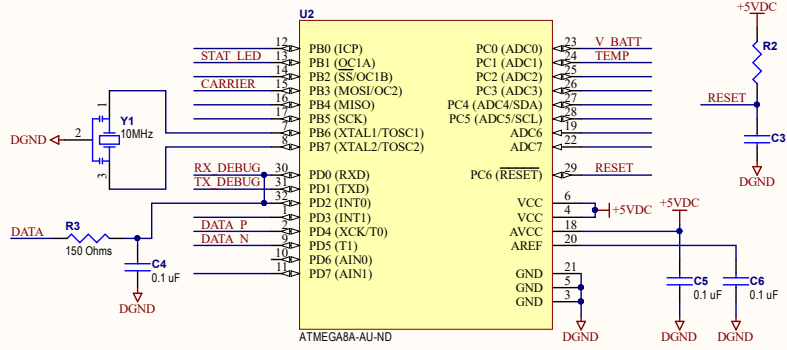


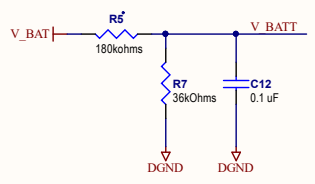
CHECKED FOR ERRORS



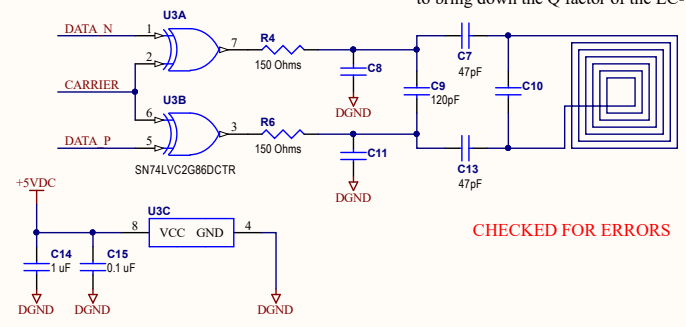
CHECKED FOR ERRORS



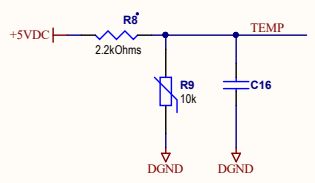
C10 or C15 can be replaced with a resistor to bring down the Q factor of the LC-TANK



CHECKED FOR ERRORS



CHECKED FOR ERRORS



CHECKED FOR ERRORS

COMMENTS

- 1) 1S packs (4.2V) will probably not work. This requires a different power mgmt. approach with very low dropout. AKA more board space is needed and a lower maximum input voltage.
- 2) Clock speed has been doubled to allow more instructions per carrier bit

CHANGE REVISION

- 1) Changed 5MHz XTAL to 10MHz Resonator
- 2) Generate carrier wave using counter output

Title ONE PT (1PT)		
Size: A3	Drawn By: wova21	Revision: 1.1
Date: 05/08/2016	Time: 23:34:00	Sheet 1 of 1
File: Transponder 1.1.Pcb		