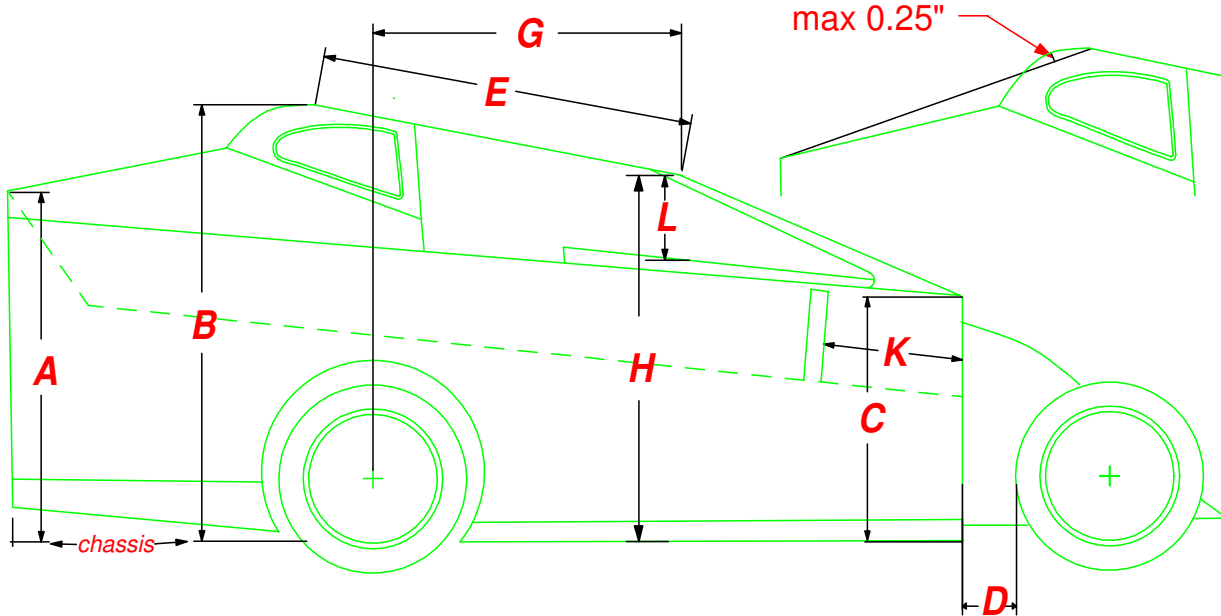


rear edge of roof to rear top edge of quarter panel



- A** 4.75" to 5.25" (rear quarter height from bottom of chassis)
- B** 5.25" to 6.25" (roof height from bottom of chassis)
- C** 3.00" to 3.50" (front door height from bottom of chassis)
- D** front edge of both doors must be behind both front tires
- E** 5.25" to 6.25" (roof length)
- F** 5.25" to 6.25" (roof width)
- G** 4.00" to 6.00" (roof front edge from rear axle)
- H** min 5.00" (roof front edge from bottom of chassis)
- J** 7.50" to 8.00" (innerpanel width)
- K** min 2" max 4" from front door edge (side braces at approx 45deg)
- L** min 1" max 2" (clearance from top of hood to leading edge of roof)