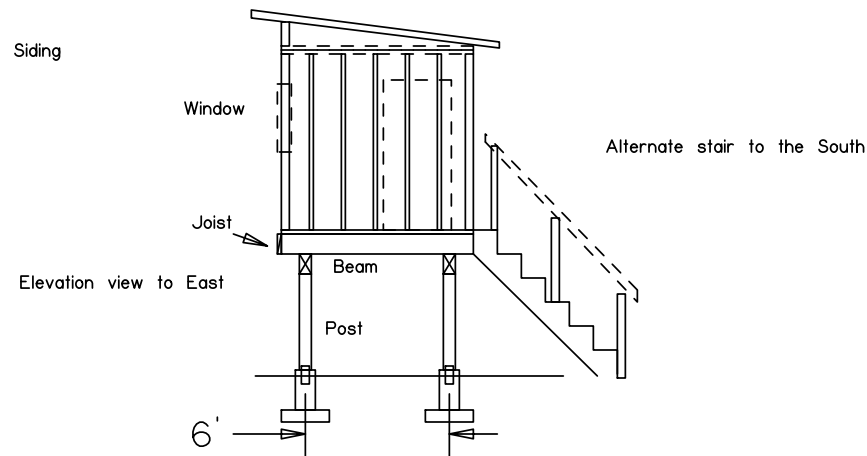
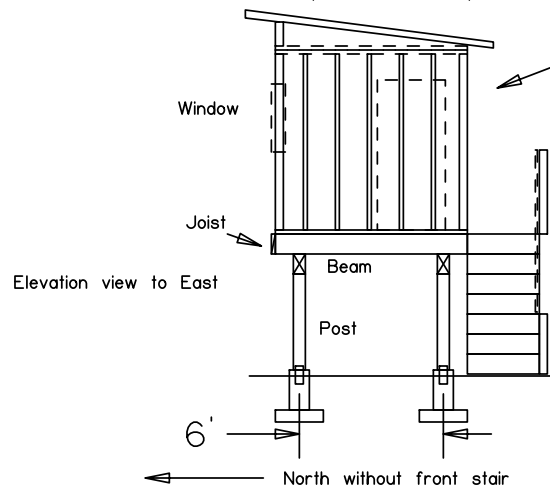
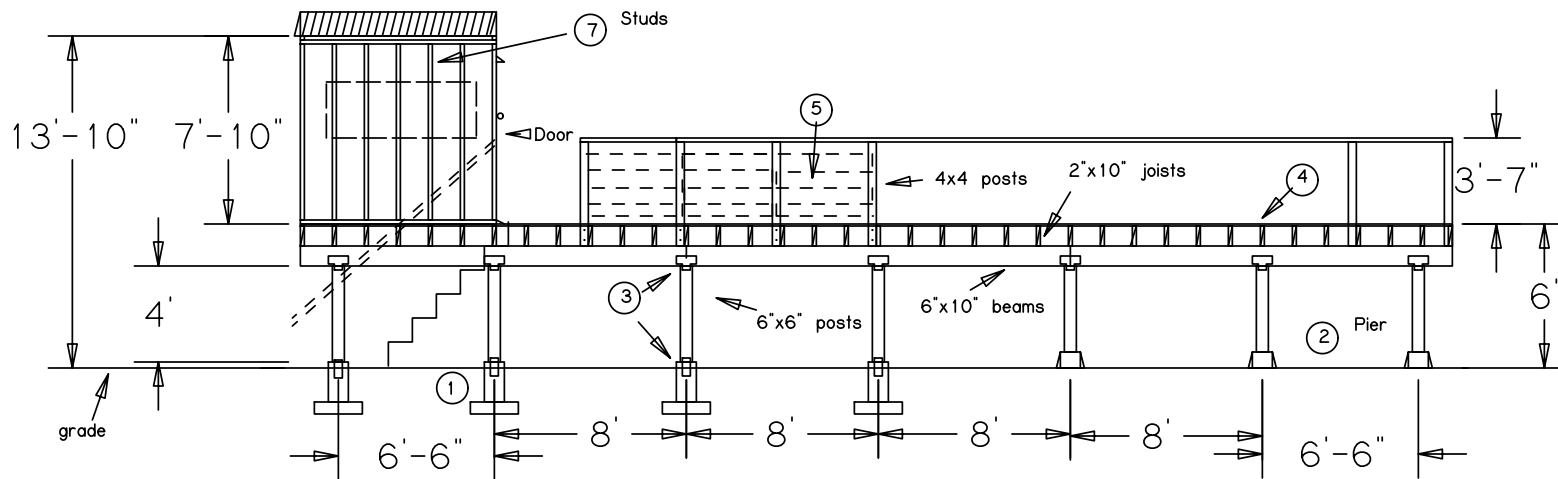


# SEATAC DRIVERS STAND ELEVATION LOOKING NORTH



- ① SONOTUBE 10" dia x 20"  
24"x24"x6" base
- ② Alternate Piers
- ③ Stimson 6x6 Brackets
- ④ Composite Deck Material or  
Metal Grating
- ⑤ Required railing heights/spacing  
to be determined
- ⑥ Siding T-111 or equivalent
- ⑦ 2"x4" Studs 16" O.C.

Notes:

- | qty 7 6"x6"x8' posts
  - | qty 6 6"x10"x16' beams
  - | qty 37 2"x10"x8' joists
- Joist direction North/South

SCALE 1/4":1'

Tracy Statten 6/11/12