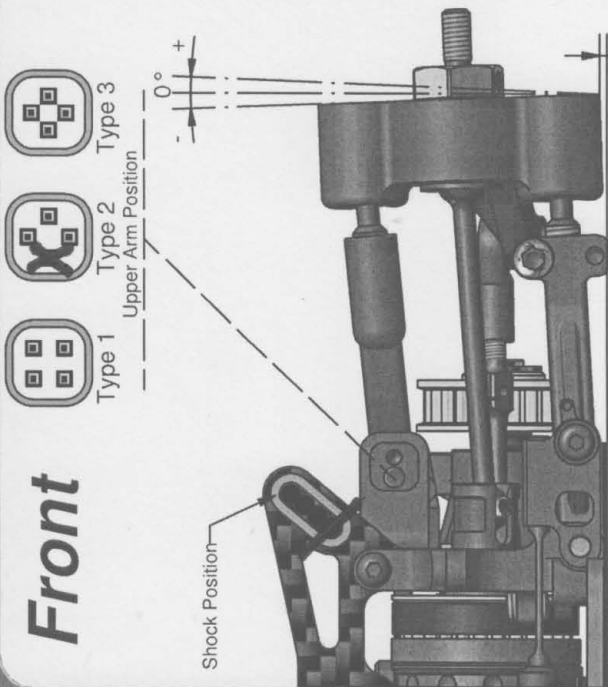


C03 Blank Set-Up Sheet

Capricorn RC

Front



CAMBER

LEFT 1.5
RIGHT 1.5

TOE / SIDE

.5 out

WIDHT

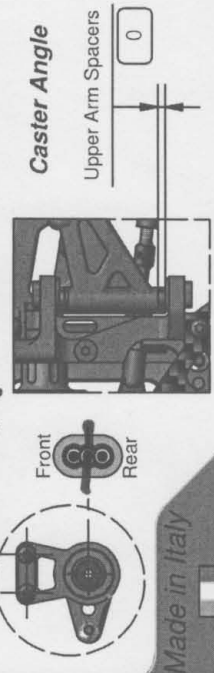
198

ACKERMANN INSERTS

10 11 12

GEAR DIFF. OIL

300K



FRONT		REAR	
LEFT	RIGHT	LEFT	RIGHT
Matrix	35	40	40
SHORE	59.5	61	61

SHOCK ABSORBERS	
Oil	1000
Spring	3.2
Piston	1.2
Holes Ø	3

ANTI-ROLL BARS	
Type	stock
Angle Pos.	

SPUR GEAR	
1st	52
2nd	53
3rd	54
4th	47
5th	48
6th	49

PINION	
1st	14
2nd	15
3rd	19
4th	20

DRIVE TRAIN & D.J. SHAFT

MIDDLE AXLE PULLEY 24 26 D.J.

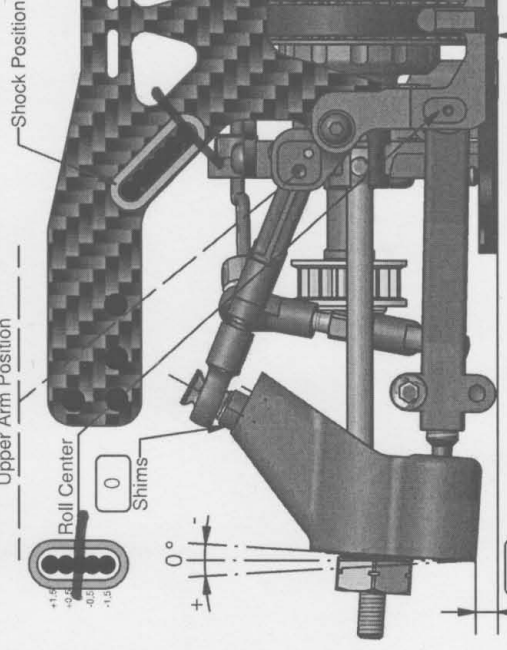
ENGINE

TYPE Legend R MUFFLER 2660
PLUG 6T NITRO 20%

BODY TYPE P37

SET-UP SHEET

NAME DJ Apolario
DATE 04-2016
TEMP 80's
TRACK Homestead, FL
TRACTION Medium to High
RESULT BEST LAP 17.0



CAMBER

LEFT 4
RIGHT 3.5

TOE / SIDE

+1.5

WIDHT

199

ARM POSITION

A B

GEAR DIFF. OIL

100K

Additional notes

- large hexes all around
- No front flex

Made in Italy