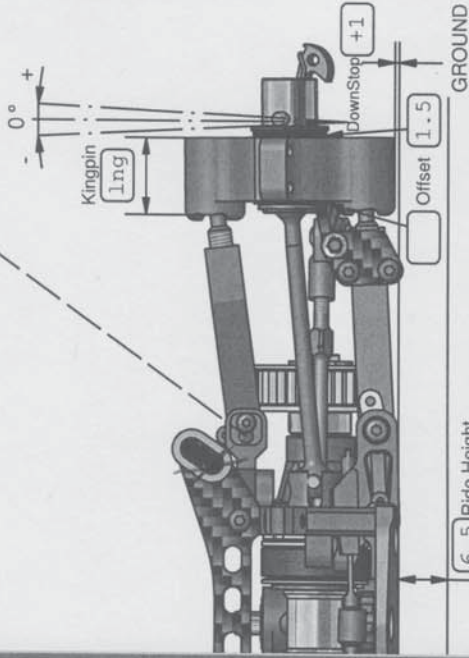


# C802 Blank Set-Up Sheet

Capricorn RC

## Front

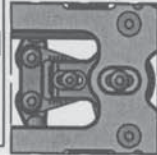


**CAMBER**  
LEFT 1.75  
RIGHT 1.5

**TOE / SIDE**  
-1.5/each

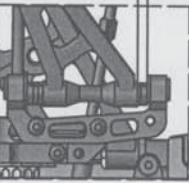
**WIDHT**  
253

**ACKERMANN INSERTS**  
10  11  12



### S.SAVER ARM

center



### Caster Angle

Upper Arm Spacers

0

## FRONT

LEFT	RIGHT	TYRES	LEFT	RIGHT
Matrix	Matrix			
32	32		32	32
66	66		73	73

SHOCK ABSORBERS	Std Bore	Big Bore
70	<input type="checkbox"/>	<input checked="" type="checkbox"/>
Mugen Wht		Silver
2 hole		3 hole

ANTI-ROLL BARS	
F-1 (1.5)	TYPE 3.1
	ANGLE POS.

1 ST SPUR GEAR		2 ND	
<input checked="" type="checkbox"/> 60	<input checked="" type="checkbox"/> 61	<input checked="" type="checkbox"/> 56	<input checked="" type="checkbox"/> 57
<input checked="" type="checkbox"/> 62	<input checked="" type="checkbox"/> 63	<input checked="" type="checkbox"/> 58	<input checked="" type="checkbox"/> 59

1 ST PINION		2 ND	
<input checked="" type="checkbox"/> 19	<input checked="" type="checkbox"/> 20	<input checked="" type="checkbox"/> 23	<input checked="" type="checkbox"/> 24

### DRIVE TRAIN & D.J. SHAFT

MIDDLE AXLE PULLEY	<input checked="" type="checkbox"/> 29	<input checked="" type="checkbox"/> 30	<input checked="" type="checkbox"/> D.J.
--------------------	--	--	--

### ENGINE

TYPE	Nova	MUFFLER	2015
PLUG	8	NITRO	25%

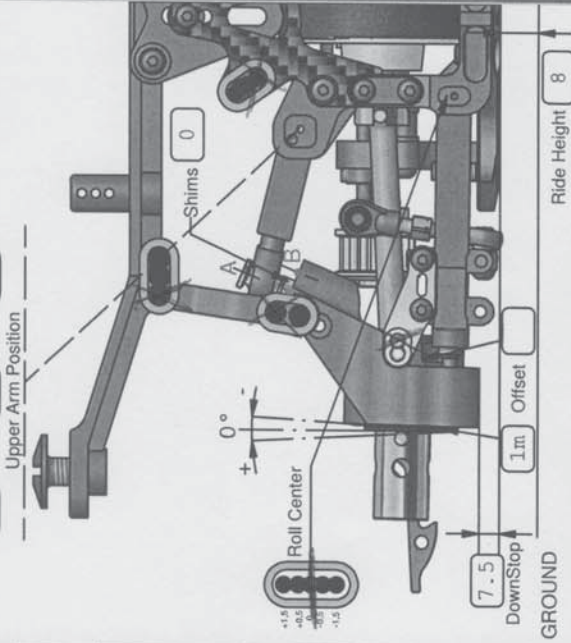
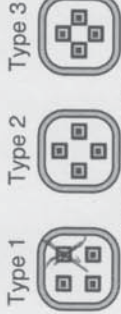
### BODY

TYPE Proto R18

### SET-UP SHEET

NAME	DJ Apolaro
DATE	
TEMP	
TRACK	Medium Traction start
TRACTION RESULT	BEST LAP

## Rear



**CAMBER**  
LEFT 3.5  
RIGHT 3

**TOE / SIDE**  
+2

**WIDHT**  
264

**ARM POSITION**  
A  B

**WHEEL SPACERS**

**BODY POSITION**  
17-19mm

### Additional notes

For higher Bite I up softer on the springs all around  
Silver Fronts, Red Rear

Made in Italy