



SET UP

NAME	RACE		DATE
TRACK	CITY/COUNTRY		CONTACT
TRACK SIZE	<input type="checkbox"/> OPEN	<input type="checkbox"/> MEDIUM	TEMP. F° / °C
TRACK TRACTION	<input type="checkbox"/> HIGH	<input checked="" type="checkbox"/> MEDIUM	AIR TRACK
TRACK SURFACE	<input type="checkbox"/> SMOOTH	<input checked="" type="checkbox"/> MEDIUM	LAPS
TRACK TYPE	<input type="checkbox"/> HARD PACKED	<input type="checkbox"/> SOFT DIRT	<input checked="" type="checkbox"/> CLAY
	<input type="checkbox"/> BLUE GROOVE	<input type="checkbox"/> ASTRO TURF	<input type="checkbox"/> GRASS
TRACK CONDITION	<input type="checkbox"/> DRY	<input checked="" type="checkbox"/> DUSTY	<input type="checkbox"/> MUD
			BEST LAPTIME in LAP
			RACE LENGTH
			RACE RESULT

DIFFERENTIAL OIL

FRONT	CENTER	REAR
5000 CST	5000 CST	3000 CST

CLUTCH

TYPE: STANDARD	<input type="checkbox"/>	OPTIONAL	<input type="checkbox"/>
SHOE: ALU	<input type="checkbox"/>	PCS	<input type="checkbox"/>
	<input type="checkbox"/>	SPRING	<input type="checkbox"/>
CARBON	<input type="checkbox"/>	PCS	<input type="checkbox"/>
	<input type="checkbox"/>	SPRING	<input type="checkbox"/>

GEARING

CLUTCH BELL	17 T	SPUR GEAR	46 T
-------------	------	-----------	------

BRAKE BALANCERS

50/50	<input checked="" type="checkbox"/>	BALANCER CLIPS:	0.5 MM	<input type="checkbox"/>	PCS
OPTION	<input type="checkbox"/>		0.75MM	<input type="checkbox"/>	PCS
			1.0 MM	<input type="checkbox"/>	PCS
			1.25MM	<input type="checkbox"/>	PCS
			1.5 MM	<input type="checkbox"/>	PCS

SHOCKS

FRONT	SPRING	REAR
C= 4.8	<input type="checkbox"/> PINK	C= 2.8
C= 5.0	<input checked="" type="checkbox"/> BLUE	C= 3.0
C= 5.2	<input type="checkbox"/> PURPLE	C= 3.2
C= 5.4	<input type="checkbox"/> GREEN	C= 3.4
C= 5.6	<input type="checkbox"/> GREY	C= 3.6
C= 5.8	<input type="checkbox"/> YELLOW	C= 3.8
C= 6.0	<input type="checkbox"/> WHITE	C= 4.0
C=	<input type="checkbox"/> OTHER	C=
30	OIL/CST	27.5
	REBOUND %	

PISTON

HOLES SIZE	
<input type="checkbox"/> 1.1MM	<input type="checkbox"/>
<input type="checkbox"/> 1.2MM	<input type="checkbox"/>
<input type="checkbox"/> 1.3MM	<input type="checkbox"/>
<input checked="" type="checkbox"/> 1.4 MM	<input checked="" type="checkbox"/>
OTHER	

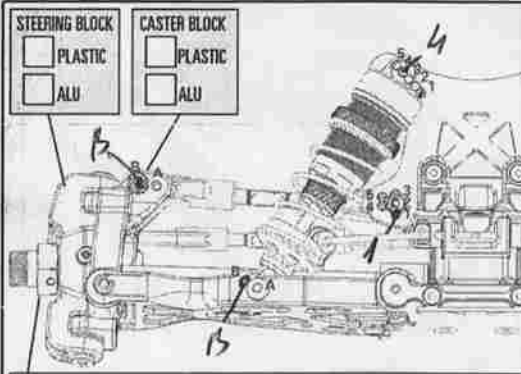
TYRES

BRAND	BRAND	
TYPE	TYPE	
INSERT	WING	OPTIONAL
WHEELS	STOCK	BRAND
		TYPE

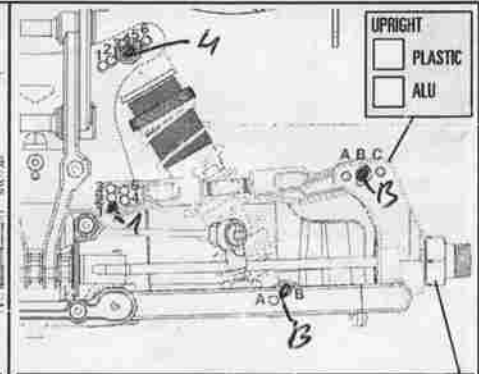
ENGINE

TYPE	Vico Boost
MANIFOLD	
MUFFLER	
PLUG	
FUEL	

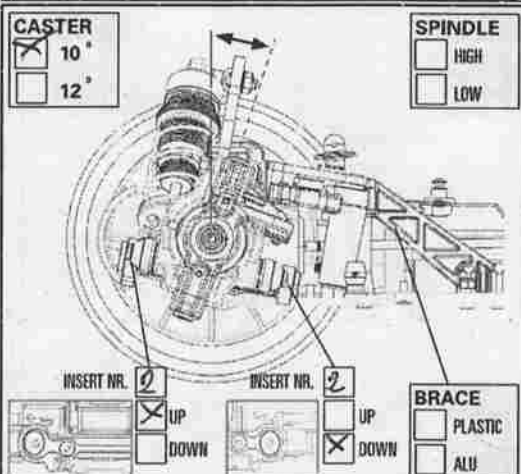
COMMENTS



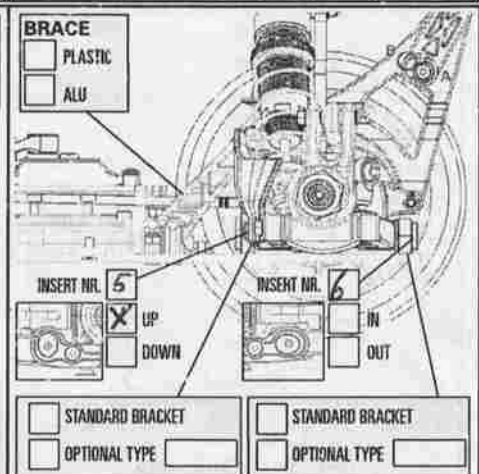
STEERING BLOCK	<input type="checkbox"/> PLASTIC	<input type="checkbox"/> ALU
CASTER BLOCK	<input type="checkbox"/> PLASTIC	<input type="checkbox"/> ALU



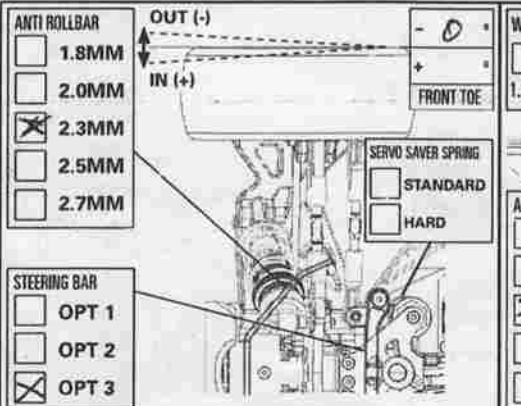
UPRIGHT	<input type="checkbox"/> PLASTIC	<input type="checkbox"/> ALU
---------	----------------------------------	------------------------------



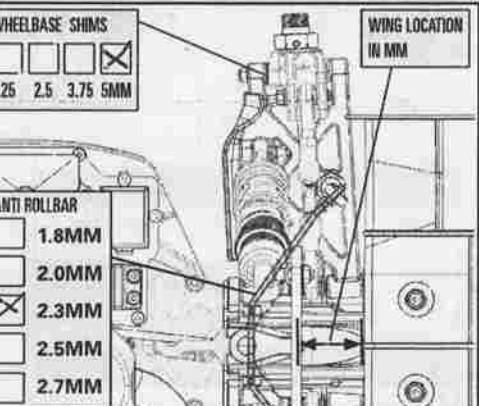
CASTER	<input checked="" type="checkbox"/> 10°	<input type="checkbox"/> 12°
SPINDLE	<input type="checkbox"/> HIGH	<input type="checkbox"/> LOW



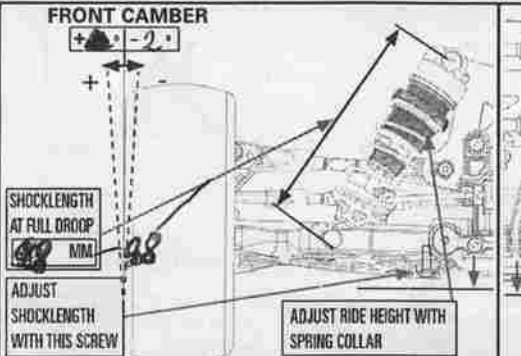
BRACE	<input type="checkbox"/> PLASTIC	<input type="checkbox"/> ALU
BRACE	<input type="checkbox"/> PLASTIC	<input type="checkbox"/> ALU



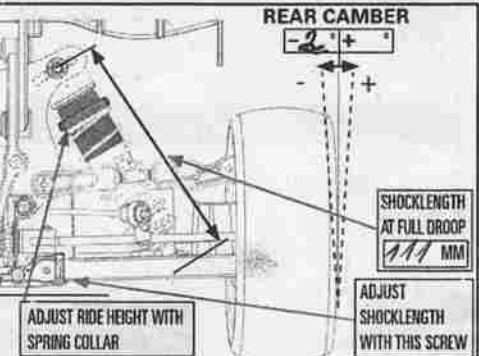
ANTI ROLL BAR	<input type="checkbox"/> 1.8MM	<input type="checkbox"/> 2.0MM	<input checked="" type="checkbox"/> 2.3MM	<input type="checkbox"/> 2.5MM	<input type="checkbox"/> 2.7MM
SERVO SAVER SPRING	<input type="checkbox"/> STANDARD	<input type="checkbox"/> HARD			
STEERING BAR	<input type="checkbox"/> OPT 1	<input type="checkbox"/> OPT 2	<input checked="" type="checkbox"/> OPT 3		



WHEELBASE SHIMS	<input type="checkbox"/> 1.25	<input type="checkbox"/> 2.5	<input checked="" type="checkbox"/> 3.75	<input type="checkbox"/> 5MM	
ANTI ROLL BAR	<input type="checkbox"/> 1.8MM	<input type="checkbox"/> 2.0MM	<input checked="" type="checkbox"/> 2.3MM	<input type="checkbox"/> 2.5MM	<input type="checkbox"/> 2.7MM



FRONT CAMBER	+2°
SHOCKLENGTH AT FULL DROOP	98 MM
ADJUST SHOCKLENGTH WITH THIS SCREW	
ADJUST RIDE HEIGHT WITH SPRING COLLAR	



REAR CAMBER	-2°
SHOCKLENGTH AT FULL DROOP	111 MM
ADJUST SHOCKLENGTH WITH THIS SCREW	
ADJUST RIDE HEIGHT WITH SPRING COLLAR	