

X2-CR PRO Set-Up Sheet

Driver: Monkey
Date: 12-08

Track: RH/FTH

Air Temp: 65 F C

TRACK: SIZE	TRACTION:	SURFACE:
<input checked="" type="checkbox"/> OPEN	<input type="checkbox"/> HIGH	<input type="checkbox"/> DUST
<input type="checkbox"/> MEDIUM	<input checked="" type="checkbox"/> MEDIUM	<input type="checkbox"/> MEDIUM
<input type="checkbox"/> TIGHT	<input type="checkbox"/> LOW	<input checked="" type="checkbox"/> BUMPY

Front Suspension

Shock Spring: _____ Blue

Shock Piston: Standard Drilled

Shock Oil wt: 450 mvgew

Shock Length (Center to Center) 103 mm

Toe-In: 1°

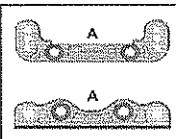
Toe-Out: 2°

Front Ride Height: 2.5 mm

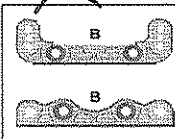
Sway Bar: 2mm 2.3mm 2.5mm
 _____ None

Camber: Neg: 2°
 Pos: _____

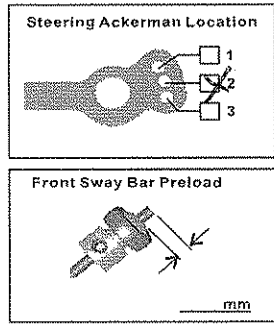
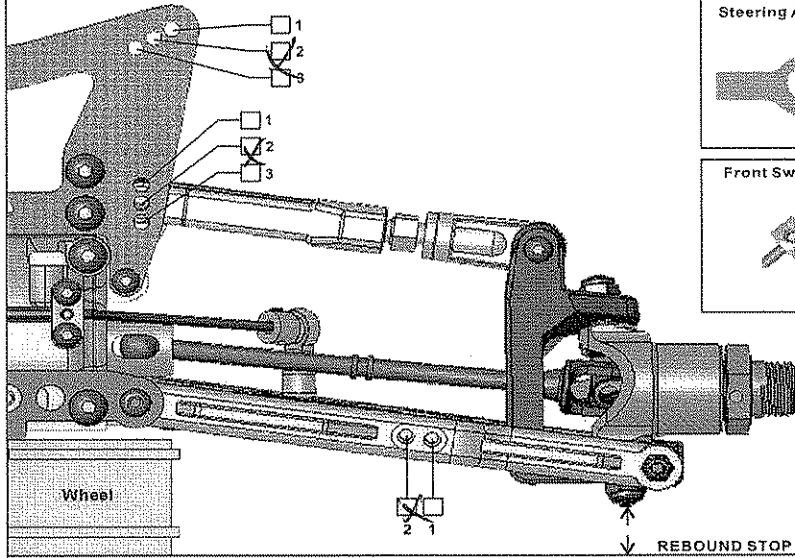
Caster Block: A/A B/B



A



B



Notes: _____

Rear Suspension

Shock Spring: white Blue _____

Shock Piston: Standard Drilled

Shock Oil wt: 400 mvgew 350

Shock Length (Center to Center) 126 mm





Rear Ride Height: 2 mm

Sway Bar: 2.3mm 2.5mm 2.8mm
 _____ None





Camber: Neg: _____
 Pos: 0°

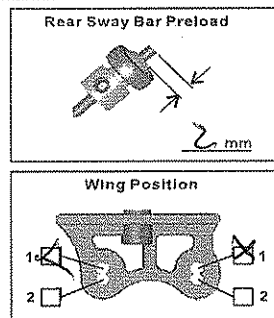
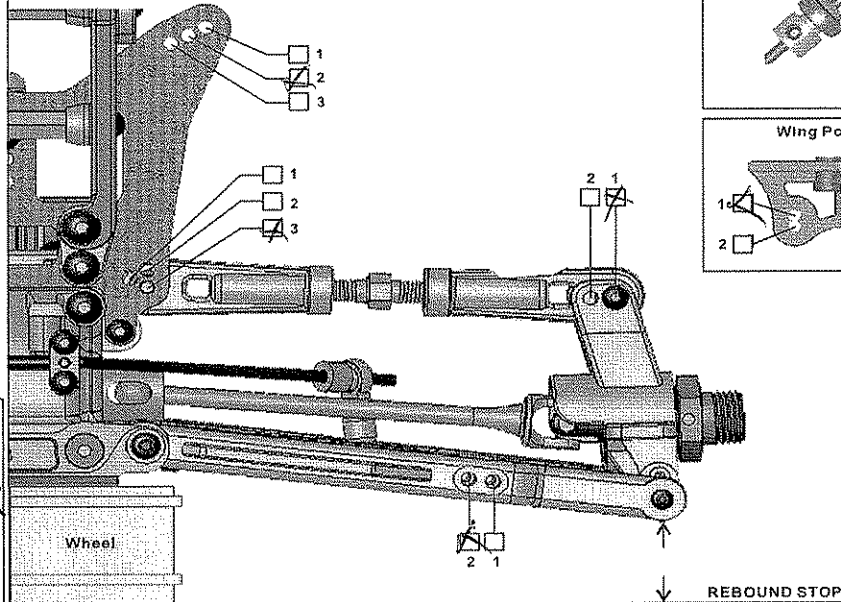
Rear Hub/Wheelbase: Forward Middle Back

Rear Toe-In Plate

 2
 2.5
 3
 3.5

Anti-Squat Plate

 1
 2
 2.5
 3



Differential

Front Type: STD Torsen Oil: 5 K

Center Type: STD Torsen Oil: 87 K

Rear Type: STD Torsen Oil: 3 K

Tires

Front Type: AKB Compound med Insert Foam: AKA

Rear Type: AKA Compound med Insert Foam: AKA

Note: C14 Block

Engine

Type: CSV spec Port: _____

Plug: OS Normal Turbo

Head Clearance: 96d

Pipe: 2050

Fuel Brand: BP/ONS, 30 %

CLUTCH

Shoe Brand: Fironi Compound Alum/Carbon ALUM: Blue Purple

Spring Brand: Fironi Tension FF2 mm

Gearing: 16T 17T To 44T 45T

Note: _____

Clutch Shoes:

 2 Shoe
 3 Shoe
 4 Shoe
