

Name Fred Hubbard

Date 09/22/2012

Event Speedtech GrandPrix #4

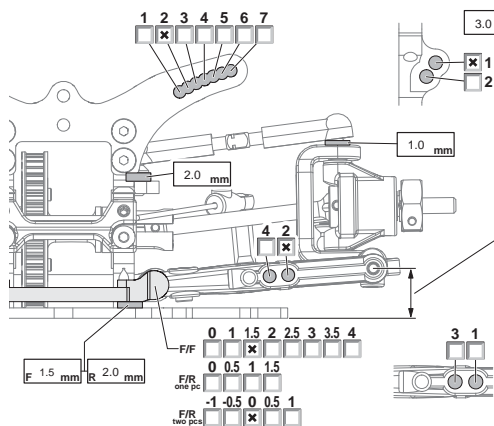
Temp Air 95F Track 130F

Track Tamiya USA

Track Condition

Indoor Tight Smooth Wet Low Bite High Bite
 Outdoor Open Rough Dusty Med Bite Other

Front



Ride Height 5.2 mm

Camber Angle 1.5 °

Droop 9.0 mm Sway bar 1.3 mm

Toe Angle -1.0 ° Caster Angle 4 °

Wheel Spacer 0 mm Wheel Hub 5 mm

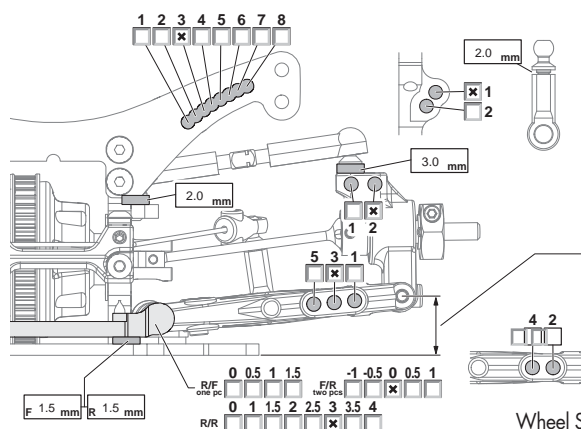
F/F	0	1	1.5	2	2.5	3	3.5	4
	<input checked="" type="checkbox"/>							
F/R one pc	0	0.5	1	1.5				
	<input checked="" type="checkbox"/>							
F/R two pc	-1	-0.5	0	0.5	1			
	<input checked="" type="checkbox"/>							

Shocks

Front Rear

Piston	(6) 1.1 Holes	(6) 1.1 Holes
Oil wt.	Losi 90	Losi 90
Bladder	Standard	Standard
Spring	6543_silver	6543_silver
Shock Length	64.00 mm	64.00 mm

Rear



Ride Height 5.2 mm

Camber Angle 2.0 °

Droop 8.0 mm

Sway bar 1.3 mm

Wheel Spacer 0 mm Wheel Hub 5 mm

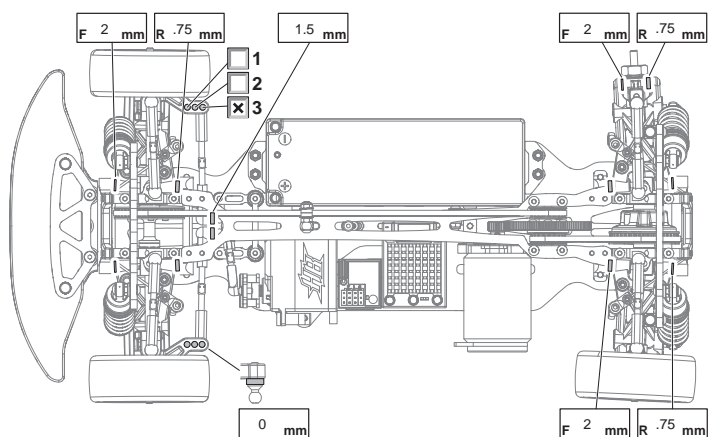
R/F one pc	0	0.5	1	1.5				
	<input checked="" type="checkbox"/>							
F/R two pc	-1	-0.5	0	0.5	1			
	<input checked="" type="checkbox"/>							
R/R	0	1	1.5	2	2.5	3	3.5	4
					<input checked="" type="checkbox"/>			

Tires

Front Rear

Brand	Sorex	Sorex
Compound	36R	36R
Insert	Hara Black V2	Hara Black V2
Wheel	HPI	HPI
Tire Treatment	FX2	FX2

Chassis



Tamiya Rear Uprights #51333,

Note

Diff

Front Rear

Type	Spool	gear_diff
Note		Losi 100

Motor

Motor	ThunderPower 4.5T	Spur Gear	116
Battery	ThunderPower	Pinion Gear	28
Body	LTC	ESC	HB Flux Pro
Wing	Standard	Note	