

Name Fred Hubbard

Date 09/09/2012

Event 2012 IIC Testing

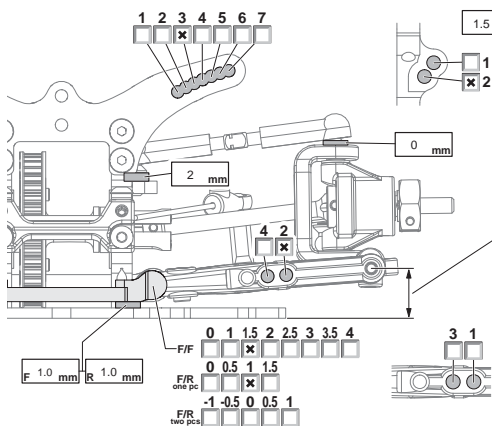
Temp Air 100F Track

Track TQ Raceway, Chino CA

Track Condition

Indoor  Tight  Smooth  Wet  Low Bite  High Bite  
 Outdoor  Open  Rough  Dusty  Med Bite  Other

## Front



Ride Height 5.2 mm

Camber Angle 1.5 °

Droop 8.5 mm Sway bar 1.4 mm

Toe Angle -.5 ° Caster Angle 4 °

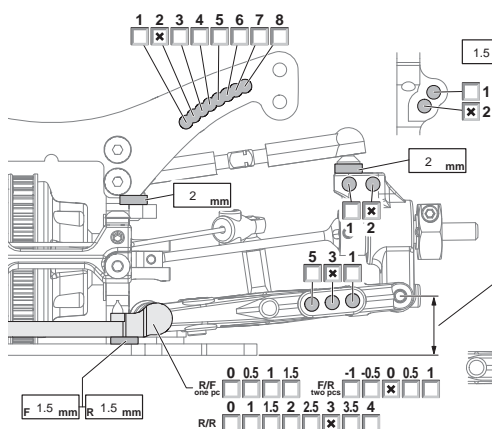
Wheel Spacer 0 mm Wheel Hub 5 mm

## Shocks

Front Rear

Piston	3 hole 1.1 PTFE	3 hole 1.1 PTFE
Oil wt.	550 cSt (MM)	550 cSt (MM)
Bladder	Standard	Standard
Spring	Yokomo Pink	Yokomo Blue
Shock Length	64.00 mm	64.00 mm

## Rear



Ride Height 5.2 mm

Camber Angle 2.0 °

Droop 9.0 mm

Sway bar 1.2 mm

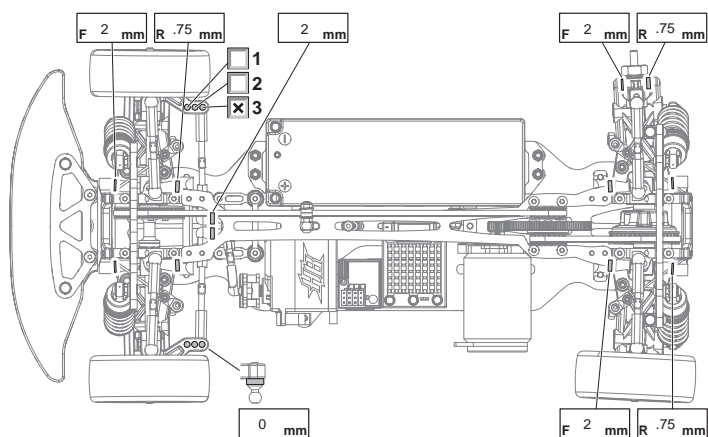
Wheel Spacer mm Wheel Hub mm

## Tires

Front Rear

Brand	JACO	JACO
Compound	BLUE	BLUE
Insert	Premount	Premount
Wheel	JACO Prism	JACO Prism
Tire Treatment	JTG Full	JTG Full

## Chassis



Tamiya Rear Uprights #51333, inside outer hole on rear arm for sway bar (wide)

Note

## Diff

Front Rear

Type	gear_diff	gear_diff
Note	RIDE 45	2000 cSt

## Motor

Motor	ThunderPower 4.5T	Spur Gear	116
Battery	ThunderPower	Pinion Gear	27
Body	PF Speed 6 LW	ESC	HB Flux Pro V3
Wing	Standard	Note	