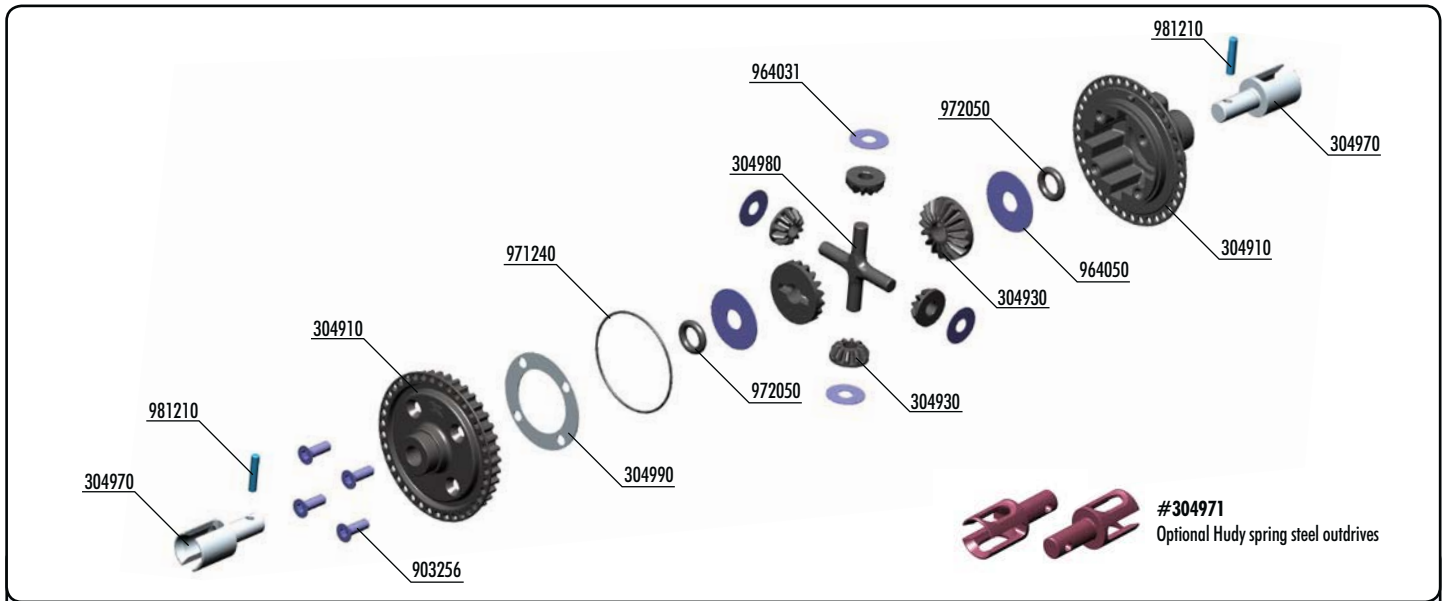


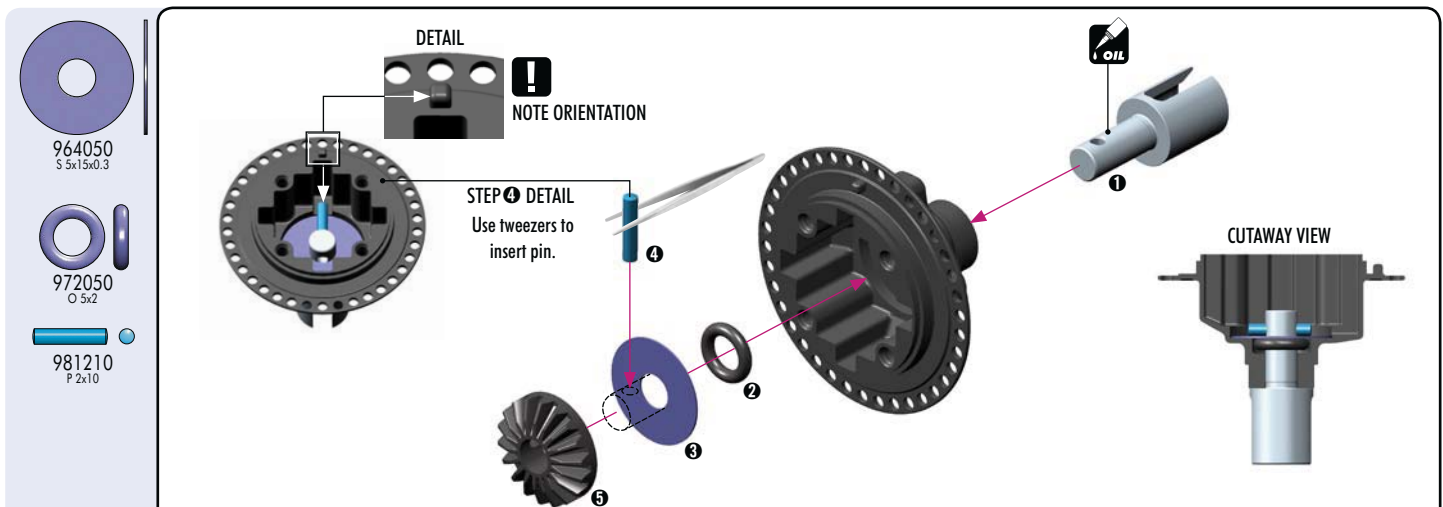
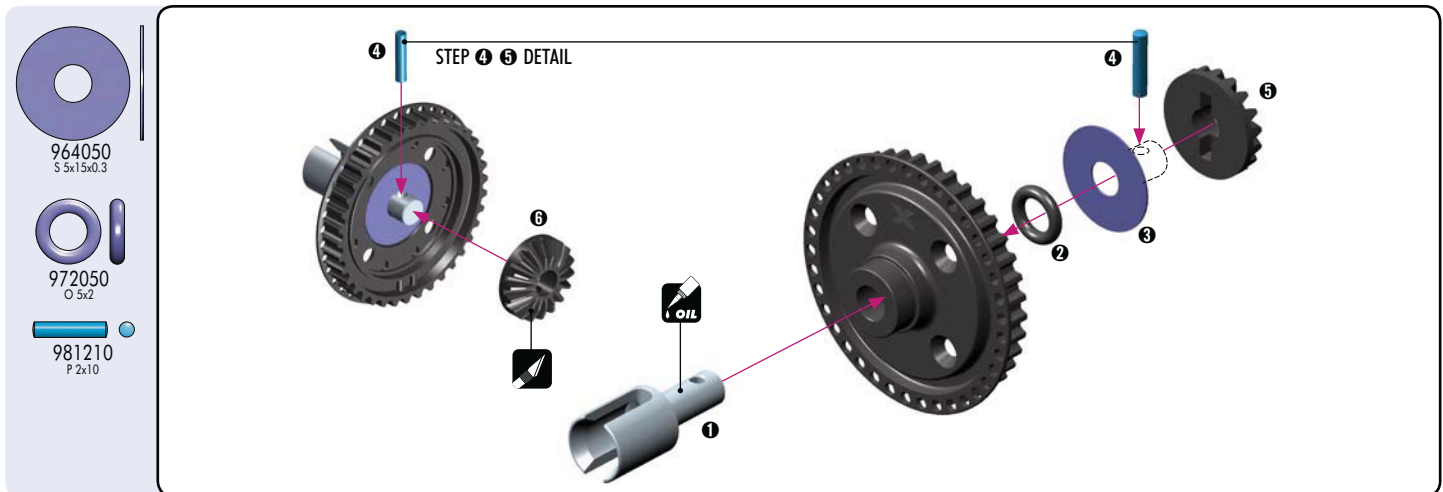
XRAY T3

#304900 XRAY GEAR DIFFERENTIAL

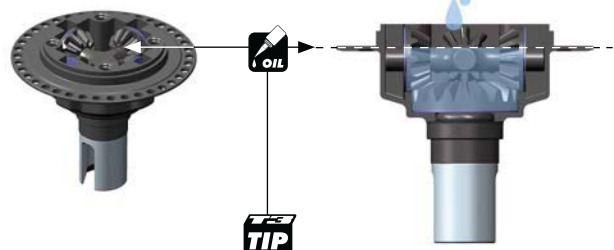
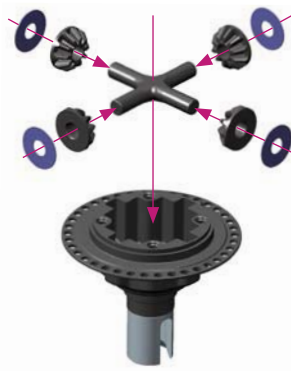
Complete gear differential set for XRAY T3 includes composite differential case and cover with pulley. Differential gears are made from tough composite material, precision-molded composite gears combined with light aluminum drive shafts, which create a lighter and super-smooth gear differential. This differential is NOT factory pre-assembled. The advantage of the gear diff is that it is maintenance-free. When the diff is correctly built there is no need for maintenance for a very long time. There is no need to change oil on a regular basis, and there is no leakage due to the very good sealing system. The gear diff also increases on-power steering which is needed on almost all types of tracks. Works great for both carpet and asphalt tracks.



30 4900	XRAY GEAR DIFFERENTIAL - SET	30 4990	DIFF GASKET (4)	96 4050	WASHER S 5x15x0.3 (10)
30 4910	COMPOSITE GEAR DIFF. CASE & COVER	30 4980	COMPOSITE GEAR DIFF CROSS PIN	97 1240	SILICONE O-RING 24x0.7 (10)
30 4930	COMPOSITE GEAR DIFF BEVEL & SATELLITE GEARS (2+4)	90 3256	HEX SCREW SFH M2.5x6 (10)	97 2050	SILICONE O-RING 5x2 (10)
30 4970	ALU GEAR DIFF OUTDRIVE ADAPTER - 7075 T6 (2)	96 4031	WASHER S 3.5x10x0.2 (10)	98 1210	PIN 2x10 (10)



964031
S 3.5x10x0.2



TIP
Fill differential up to the top of the diff pin. DO NOT fill the diff to the top of the housing.

TO ENSURE YOU HAVE THE SAME AMOUNT OF OIL FROM REBUILD TO REBUILD, DO THE FOLLOWING:



1 Put the diff (without oil) on the scale and check the weight (approximately 7.90g)

$$7.90g + 1.3g = 9.20g$$

2 Slowly pour oil into the diff and watch the weight. Add 1.3g of oil into the diff. The approximate weight of the diff + oil is 9.20g.

TIPS FOR DIFFERENTIALS

LOW-TRACTION

600cst
700cst
800cst

NOTE: softer oil increases rear traction, harder oil increases on-power steering.

HIGH-TRACTION

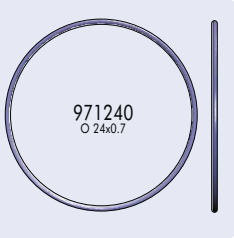
900cst
1000cst

TIPS FOR FRONT DIFFERENTIAL

To increase on-power steering and cornering speed, the gear diff can also be used in the front. **Note:** If you use the gear diff in the front, we recommend using optional #304971 HUDY Spring Steel™ outrives because the stress on the outrives in the front is much higher than in the rear.

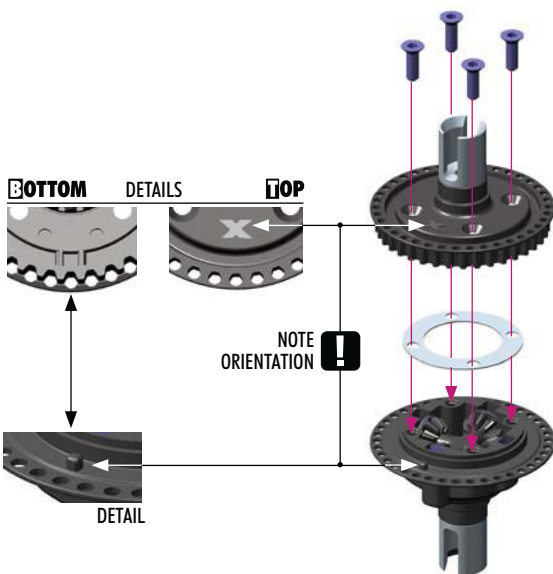
USE THESE OILS FOR FRONT DIFFERENTIAL:

200,000 cst
300,000 cst
To make the front differential tighter, you can use cleaning gum instead of oil. **IMPORTANT!** Using cleaning gum instead of oil in the gear differential can lead to gear breakage because the gears are working under dry conditions.



After disassembling the gear diff the large O-ring may have an increased size and may be more difficult to re-install. We recommend either inserting the old O-ring carefully in the diff cover, or replacing the old O-ring with a new O-ring if the old one cannot be made to fit properly.

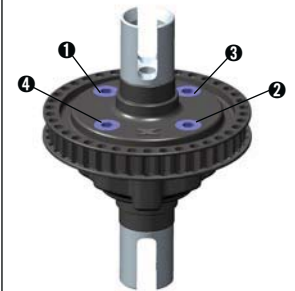
903256
SFH M2.5x6



NOTE ORIENTATION



Tighten the screws equally but do NOT tighten them completely



Finish tightening in this order