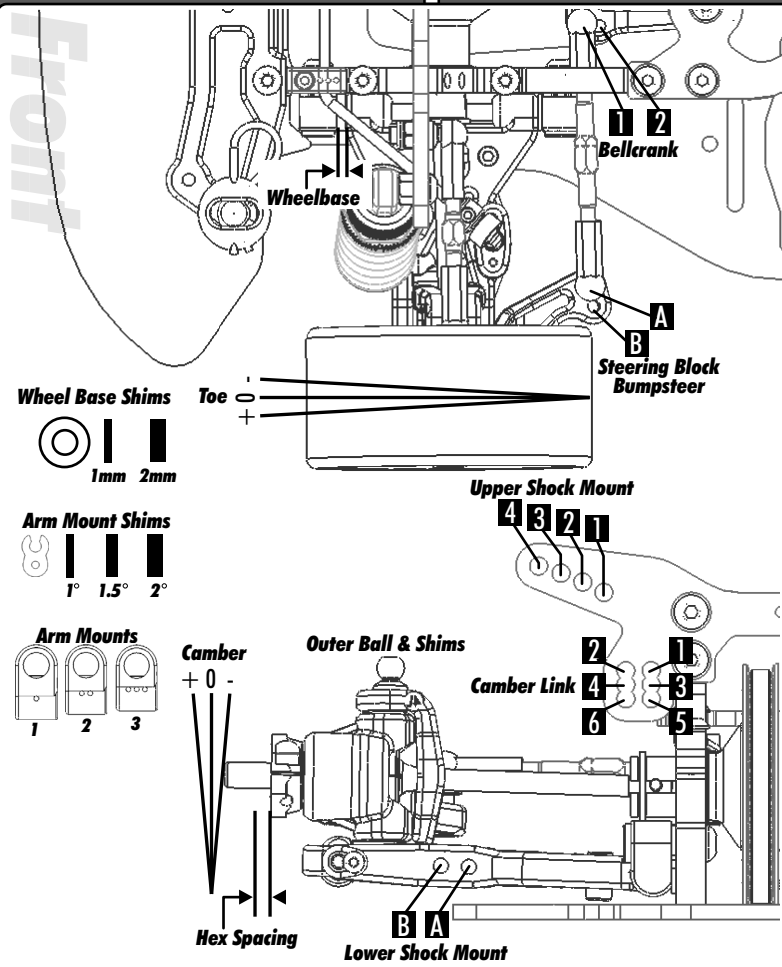


Name: Mike Gee
Event: East Coast Race of Champions
Conditions: low bite, increasing as the track cools off

Date: _____
Track: Jackson RC

For Team Driver's setups, please visit www.RC10.com or www.TeamAssociated.com!

Reset Fields



Front	Alignment	Rear
5.5mm	Ride Height	6mm
3*	Camber	2.5*
4*	Caster	N/A
N/A	Rear Hub Toe	0
.5* out	Toe (Total)	2.5*
-	Hex Spacing	-
3mm	Wheelbase	2mm
1B	Steering Link	N/A
silver +3mm	Bumpsteer	N/A

Notes: Xenon tires like a lot of camber

Suspension Geometry		
1B	Shock Position	1B
3	Camber Link Position	3A
black	Outer Ball & Shims	black +1mm
2A	FWD Arm Mount	2A
0	FWD Mount Shims	0
1A	RWD Arm Mount	2A
0	RWD Mount Shims	2mm
2mm over	Droop	3mm over
-	Anti-Roll Bar	-

Notes:

Shocks		
350cst	Oil	350cst
tamiya 3 hole	Piston	tamiya 3 hole
0	Rebound	0
silver	Spring	green

Notes: tamiya trf shocks

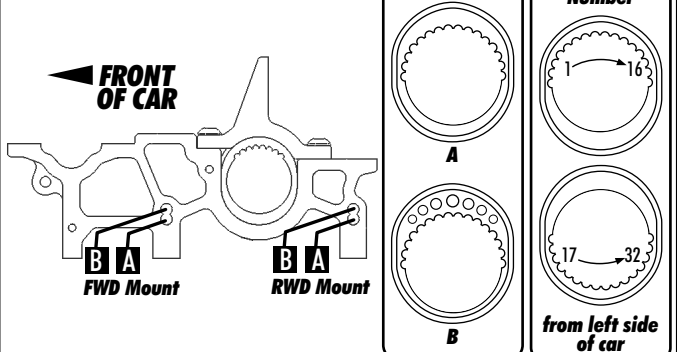
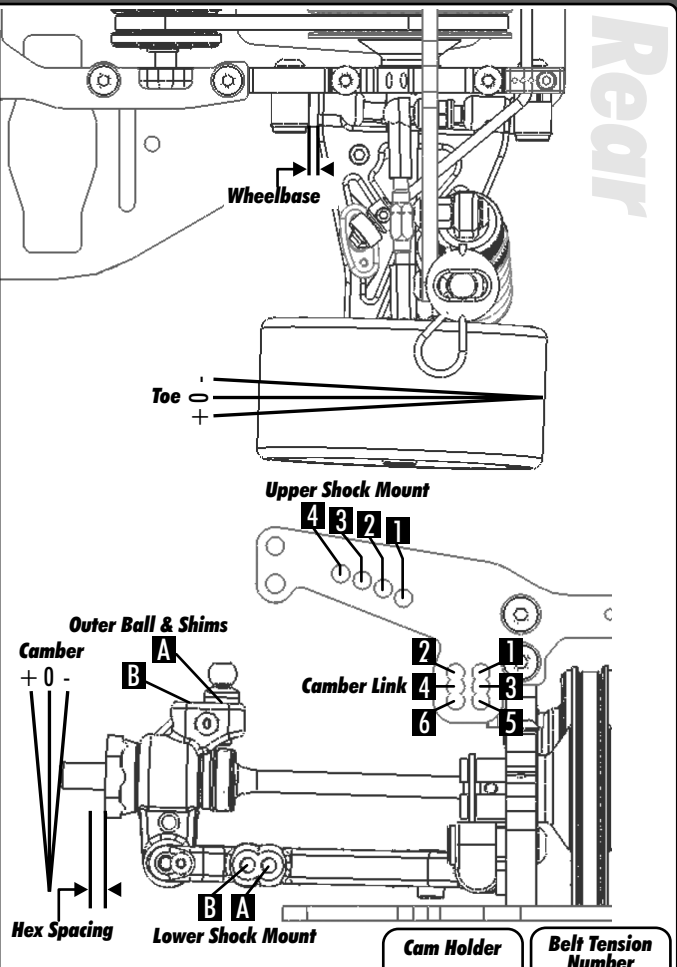
Differentials		
spool	Type	diff
-	Setting	med/loose
A	Cam Holder	A
18	Belt Tension Number	12

Notes:

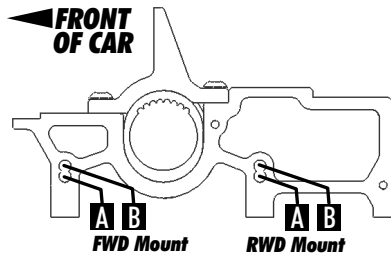
Tires		
Xenon 32	Tire	Xenon 32
-	Tire Diameter	-
-	Insert & Wheel	-
SXT 2.0	Additive & Amount	SXT 2.0

Notes: Full additive F/R, Tire warmers used

Chassis: Exotek
Top Plate: Exotek
Notes:



Transmitter	
Turning Circle:	-
Steering Expo:	0
Brake E.P. :	100
Throttle Expo:	0
Speed Control	
S.C. Type:	Tekin RS/198
S.C. Settings:	full boost, 30 drag



Motor	Gear	Notes
Duo 13.5	100 / 41	0 motor timing, fan/heatsink used

Body & Wing
LTC-R lightweight

Battery
IP5000