

Front	Alignment	Rear
5.2	Ride Height	5.5
1.5	Camber	2.0
6 deg	Caster	N/A
N/A	Rear Hub Toe	0
0	Toe (Total)	3 deg
+1mm	Hex Spacing	0
1.5mm (mid)	Wheelbase	1mm (short)
2-B	Steering Link	N/A
silver+1mm	Bumpsteer	N/A

Notes: silver = AE silver ball stud

Suspension Geometry		
2-A	Shock Position	2-B
3	Camber Link Position	3-B
silver	Outer Ball & Shims	silver+1mm
1-B	FWD Arm Mount	3-A
1.6mm	FWD Mount Shims	0
1-B	RWD Arm Mount	3-A
1.6mm	RWD Mount Shims	2.4mm
+2mm	Droop	+2mm
black	Anti-Roll Bar	none

Notes:

Shocks		
50wt AE	Oil	40wt AE
#3	Piston	#3
0	Rebound	0
Blue	Spring	Silver

Notes: No foam in bladder

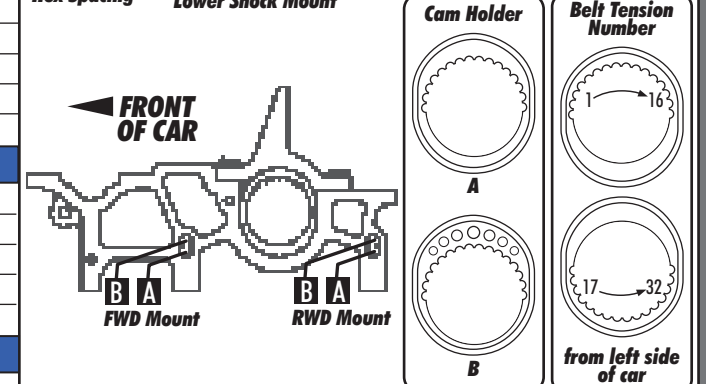
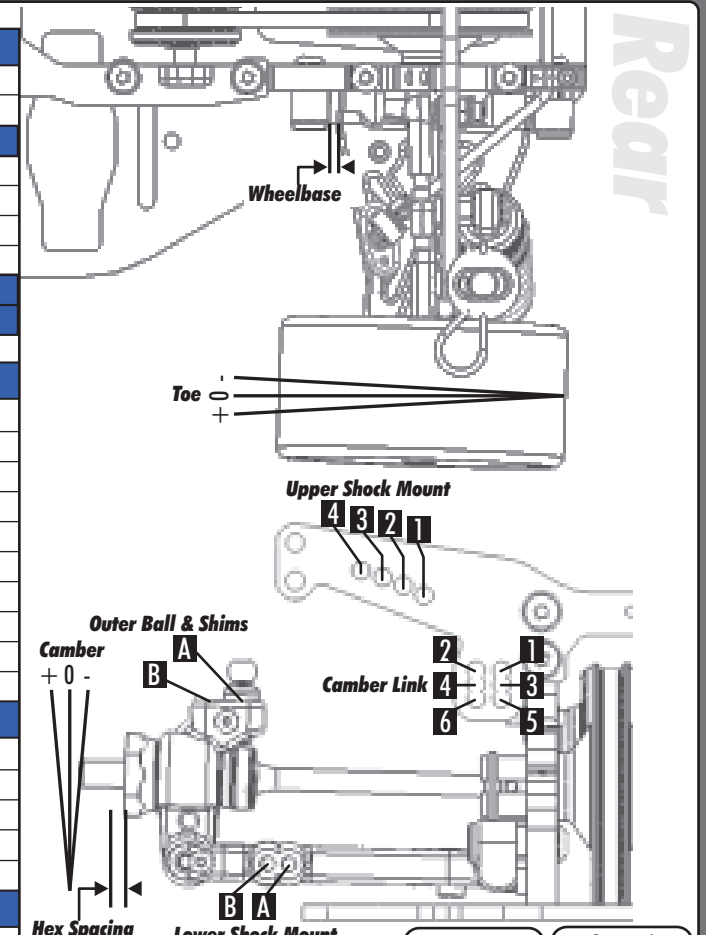
Differentials		
Oneway	Type	aluminum
-	Setting	medium
A	Cam Holder	A
3	Belt Tension Number	15

Notes:

Tires		
rubber	Tire	rubber
	Tire Diameter	
	Insert & Wheel	
full	Additive & Amount	full

Notes:

Chassis		
Chassis: ITF		
Top Plate: ITF		
Notes: No O-rings		



Transmitter	
Turning Circle:	
Steering Expo:	
Brake E.P. :	
Throttle Expo:	
Speed Control	
S.C. Type:	Sphere comp tc
S.C. Settings:	1-7-2-2

Motor	Gear	Notes
Trinity Duo	106 / 42	Timing in middle hole

Body & Wing	Battery
speed 6 or Ltc-r	trinity ip5000