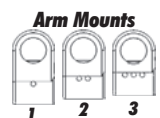
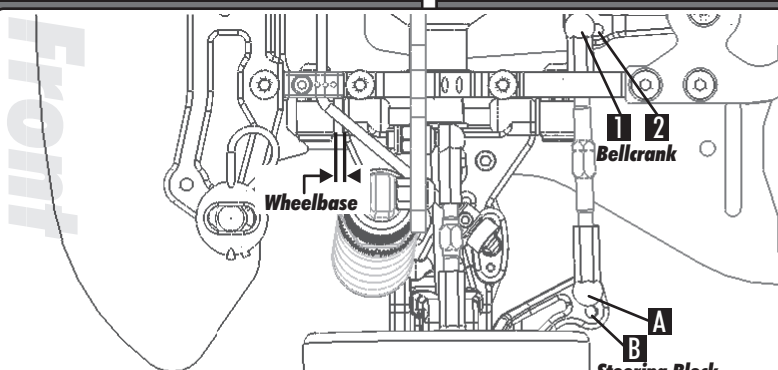


Name: Josh Hohnstein
 Event: _____
 Conditions: medium bite carpet

Date: _____
 Track: Trackside

For Team Driver's setups, please visit www.RC10.com or www.TeamAssociated.com!

Reset Fields

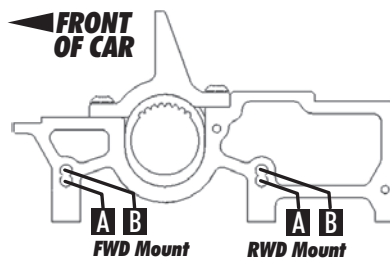


Outer Ball & Shims

Camber Link

Lower Shock Mount

FRONT OF CAR



Front	Alignment	Rear
5.25	Ride Height	5.5
1.75	Camber	2
4	Caster	N/A
N/A	Rear Hub Toe	0
0	Toe (Total)	3
+1mm	Hex Spacing	+1mm
2mm	Wheelbase	2mm
2-b	Steering Link	N/A
silver+1mm	Bumpsteer	N/A

Notes:

Suspension Geometry

2-a	Shock Position	1-b
1	Camber Link Position	2-b
silver	Outer Ball & Shims	silver +2mm
2-b	FWD Arm Mount	2-b
1.6mm	FWD Mount Shims	.8mm
2-b	RWD Arm Mount	3-b
1.6mm	RWD Mount Shims	3.4mm
2mm over	Droop	2mm over
none	Anti-Roll Bar	black

Notes:

Shocks

45	Oil	45
57	Piston	57
100%	Rebound	100%
blue	Spring	silver

Notes: full foam in bladder

Differentials

oneway	Type	diff
	Setting	med-loose
a	Cam Holder	a
2	Belt Tension Number	14

Notes:

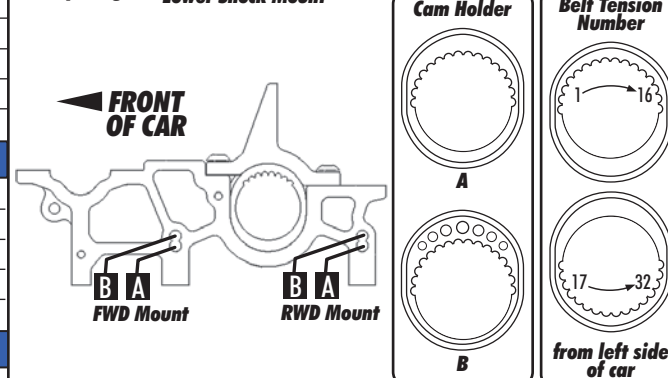
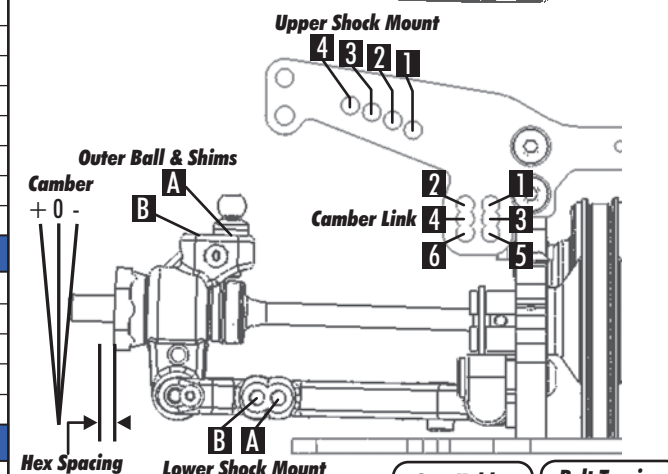
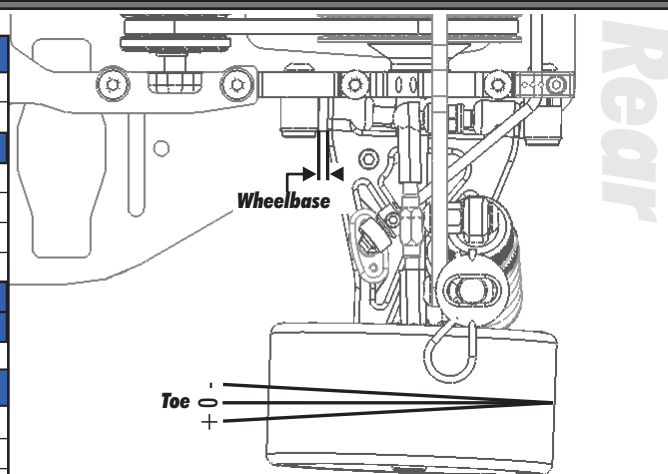
Tires

jaco blue	Tire	jaco blue
	Tire Diameter	
	Insert & Wheel	
jack-full	Additive & Amount	jack-full

Notes:

Chassis

Chassis: itf
 Top Plate: itf
 Notes: no o-rings



Transmitter

Turning Circle: 4 ft
 Steering Expo:
 Brake E.P. :
 Throttle Expo:

Speed Control

S.C. Type: 1rp
 S.C. Settings: 1-8-2-2

Motor

Trinity duo 13.5

Gear

100 / 41

Notes

timing in middle hole

Body & Wing

speed 6 LW

Battery

Trinity ip 3800 35c