

Front	Alignment	Rear
5.25	Ride Height	5.25
1.5	Camber	2.0
4*	Caster	N/A
N/A	Rear Hub Toe	0
	Toe (Total)	3*
	Hex Spacing	+1mm
2mm	Wheelbase	2mm
1b	Steering Link	N/A
2mm	Bumpsteer	N/A

Notes:

Suspension Geometry

2b	Shock Position	3b
2	Camber Link Position	3
black +1mm	Outer Ball & Shims	silver +2mm
1a	FWD Arm Mount	2a
0	FWD Mount Shims	1mm
0	RWD Arm Mount	4mm
1a	RWD Mount Shims	2a
+1.5mm	Droop	+1.5mm
black	Anti-Roll Bar	black

Notes:

Shocks

55wt	Oil	40wt
losi 57	Piston	losi 57
100%	Rebound	100%
silver	Spring	green

Notes:

Differentials

oneway	Type	aluminum
	Setting	loose
a1	Cam Holder	a12
	Belt Tension Number	

Notes:

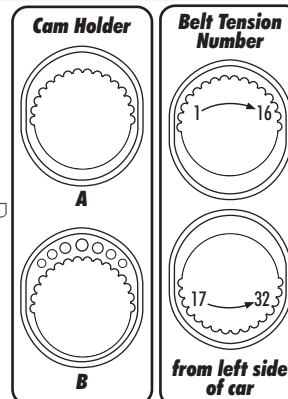
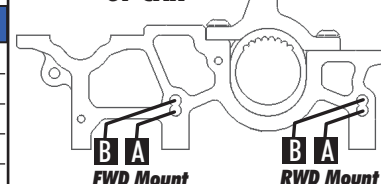
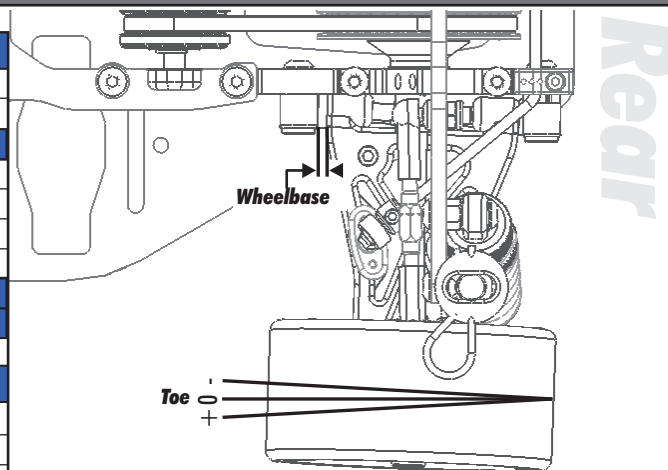
Tires

jaco blue	Tire	jaco blue
	Tire Diameter	
	Insert & Wheel	
jack full	Additive & Amount	jack full

Notes:

Chassis

Chassis: itf
 Top Plate: itf
 Notes: no o-rings



Transmitter

Turning Circle: 5ft
 Steering Expo:
 Brake E.P. :
 Throttle Expo:

Speed Control

S.C. Type: lrp sphere
 S.C. Settings: 1-8-2-2

Motor	Gear	Notes
handout	104 / 41	

Body & Wing
mazda 6

Battery
Trinity 3800 lipo