



Setup sheet

Name: Hodge Date: 6.11.06 Event: ROAR Nats

City: Speedville State: CA Track: Speedworld

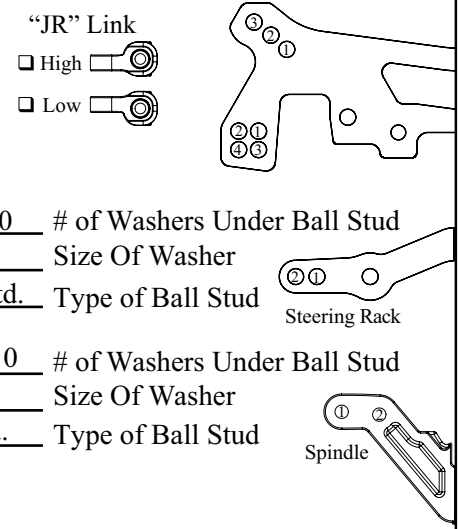
Track Conditions Indoor Outdoor Tight Open Asphalt Concrete Carpet Sealed Smooth Rough Low Bite Med Bite High Bite

Front Suspension

Toe: 1mm of toe out
Ride Height: 4.5mm
Camber: -2
Kick/Anti-Dive: 0
Caster: 4
Droop: 3.5mm above ride height
Front Pivot: 0° 1° 2°
Roll Center: High
Arm Spacing: Middle
Shock Position: #1
Steering Rack: #2
Spindle Ackerman: #1
Camber Link: #1 /Standard Link "Not Jr"
Camber Ball Stud: Short neck
Sway Bar: No

Up Travel: Not set
Arm Length: Short Long
Front Drivetrain
Front Drive: Spool One-way Diff
Grease Type: _____
Pulley: 41 42
Diff Height: High Low
Drive Axle: LCD
Hex Width: .165 stk. .195 .225

Shocks
Oil: 35wt
Oil Brand: Team Losi
Piston: 56
Spring: 17.5
Bladder: Black
Above Bladder: 2 Red O-rings

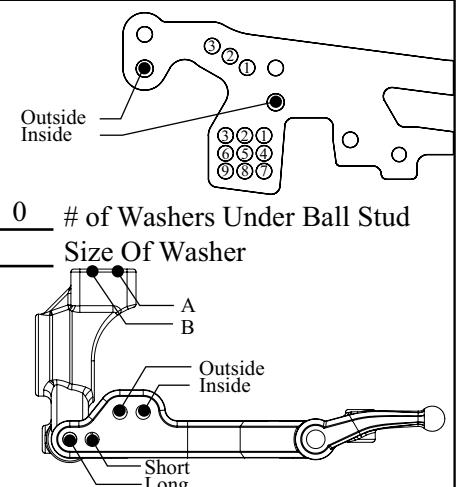


Rear Suspension

Toe: 3
Ride Height: 5mm
Droop: 3.5mm above ride height
Camber: -1
Anti/Pro Squat: 0
Hub: STD. Offset 0° 1/2° 1° 2°
Rear Pivot: 0° 1° 2°
Roll Center: High
Arm Spacing: Back
Shock Position: #2
Camber Link: 5/B
Camber Link Ball Stud: Short neck
Sway Bar: No

Up Travel: Not set
Arm Length: Short Long
Rear Drivetrain
Diff Height: High Low
Drive Axle: RCD
Hex Width: .165 stk. .195 .225

Shocks
Oil: 30wt
Oil Brand: Team Losi
Piston: 56
Spring: 10.5
Bladder: Black
Above Bladder: 2 Red O-rings



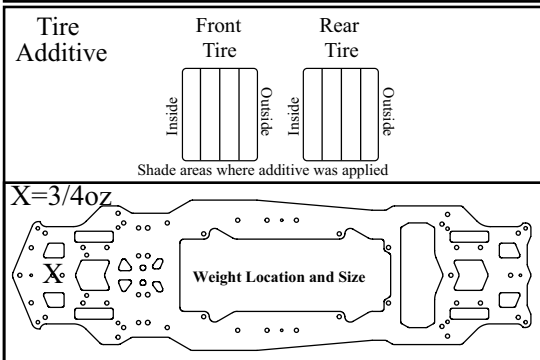
Body PF Mazda 6
Wing Mazda
FR Body Hole 5
RR Body Hole 5 Inside Outside
5th Body Hole n/a
Body Height ROAR

Motor Orion OJ Edition
Turns 7x1
Brushes _____
Springs 3.8
Timing 12 degrees

Spur Gear 128
Pinion Gear 27
Ratio 8.67
Roll Out _____
Fans Yes-2 Fans

Servo JR8800S
ESC Novak GTX
Receiver Spektrum
Battery Orion IB3800
Transponder Location On top deck

Tires: Brand/Compound Size (mm) Insert Wheel Tire Warmers
Front: RP36 _____ _____ _____ _____ YES 60 Temp °F or °C
Rear: _____ _____ _____ _____ NO



NOTES: Tire Tweak used for additive.