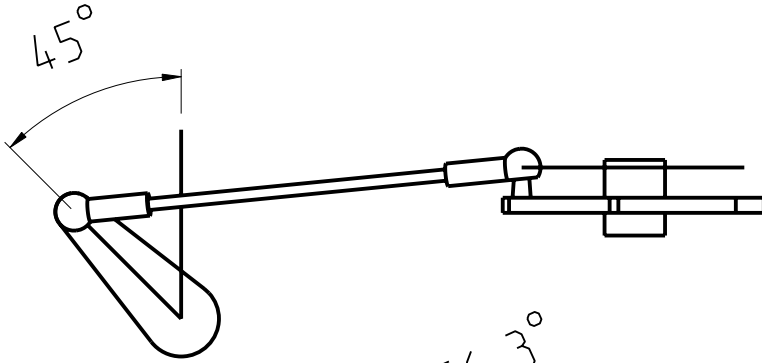
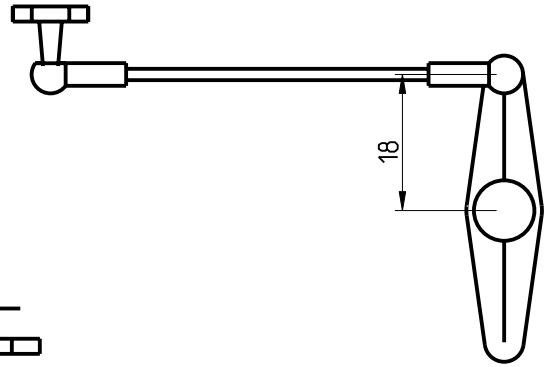
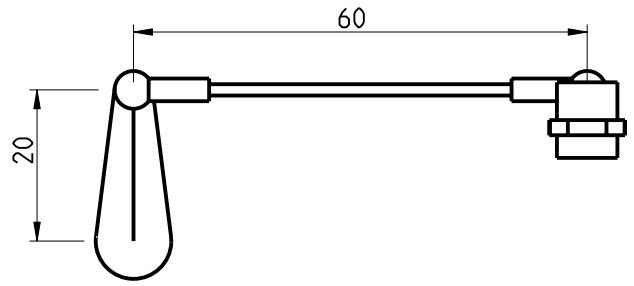
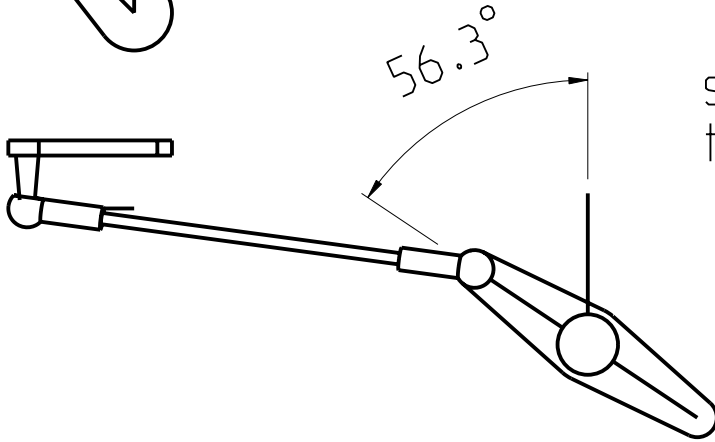


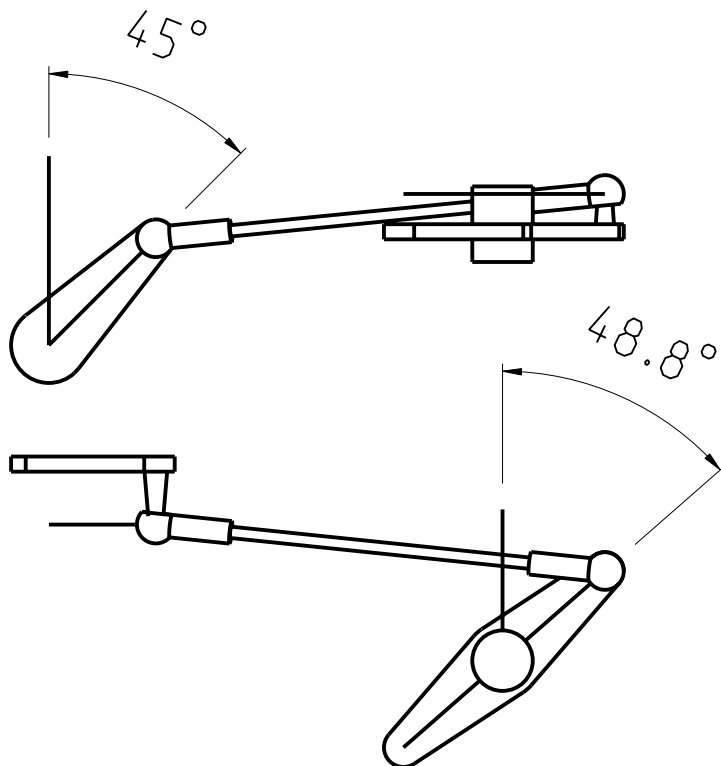
steering  
neutral



steering to  
the right



steering to  
the left



$48.8^\circ$

