

WILDFIRE DOB

1/10 4WD ELECTRIC COMPETITION TOURING CAR KIT

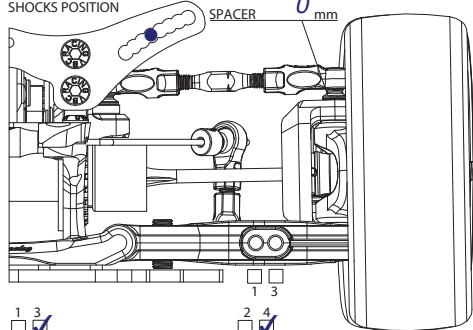


SETUP SHEET

DRIVER Eric Epp DATE 12/8/2014
 TRACK NAME TQRC RESULT 2nd - A
 COMPOSITION Carpet (INDOOR/OUTDOOR) BEST LAP 10.3
 HUMIDITY Low TRACK TEMP Cool
 GRIP HI MED LOW SURFACE SMOOTH BUMPY

1 2 3 4 5 6 7 8

 SHOCKS POSITION



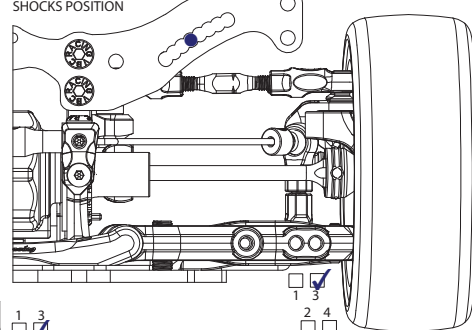
1 3

 UPPER BULKHEAD
 2 4

 SPACER 1 mm

1 2 3 4 5 6 7 8

 SHOCKS POSITION



1 3

 UPPER BULKHEAD
 2 4

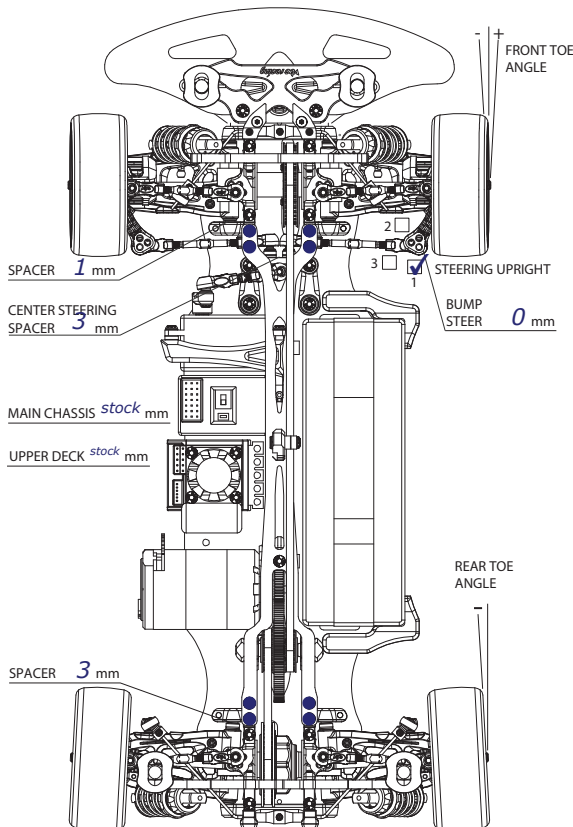
 SPACER 1.5 mm
 SPACER 2 mm

FRONT

GROUND CLEARANCE 5 mm DROOP 9 to pin center
 CAMBER ANGLE 1.5° TOE ANGLE 0°
 CASTER BLOCK 4° FRONT DRIVE DIFF (OIL) / DIRECT
 STABILIZER 1.2 1.3 WHEEL SPACER 0 mm
 SUSPENSION SHIM (FF) 0.5 mm SUSPENSION SHIM (FR) 0.5 mm
 SUSPENSION MOUNT (FF) F00 SUSPENSION MOUNT (FR) C00
 WHEELBASE FRONT 3 REAR 1 BELT TENSION std
 AXLE TYPE / SIZE TWO PIECE JOINT / SINGLE JOINT (STEEL/ALUM) mm

REAR

GROUND CLEARANCE 5.5 mm DROOP 8.5 to pin center
 CAMBER ANGLE 2° TOE ANGLE 3.5°
 REAR DRIVE DIFF (OIL 3k) DRIVE CUP ALUMINUM/STEEL
 STABILIZER 1.3 1.4 WHEEL SPACER 0 mm
 SUSPENSION SHIM (RF) 0.5 mm SUSPENSION SHIM (RR) 0.5 mm
 SUSPENSION MOUNT (RF) -C05 SUSPENSION MOUNT (RR) E30
 WHEELBASE FRONT 3 REAR 1 BELT TENSION std
 AXLE TYPE / SIZE TWO PIECE JOINT / SINGLE JOINT (STEEL/ALUM) mm



FRONT

SHOCK LENGTH 59 mm
 PISTON 4 holes / OTHERS
 OIL 45wt
 SPRING VBC Orange
 OIL SEALER CAP S / MS / / H
 REBOUND 0%
 NOTES 1mm hole drilled in cap

REAR

SHOCK LENGTH 59 mm
 PISTON 4 holes / OTHERS
 OIL 40wt
 SPRING VBC Red
 OIL SEALER CAP S / MS / / H
 REBOUND 0%
 NOTES 1mm hole drilled in cap



MOTOR Reedy 17.5T SPUR 100 T PINION 50 T PITCH 64
 TIRE Sweep QTS 32 TIRE INSERT WHEEL
 TIRE ADDICTIVE SXT 3.0 TIME 10 mins - Full rear 3/4 front TIRE WARMER
 ESC Hobbywing 3.1 ESC SETTING Blinky
 BATTERY Reedy 5500 BODY PF Dodge Dart LW REAR WING Stock

REMARKS

Center top deck screw out
Cut steering blocks