

| Front      | Alignment                              | Rear             |
|------------|----------------------------------------|------------------|
| 5.2mm      | <b>Ride Height</b>                     | 5.2mm            |
| -2         | <b>Camber</b>                          | -2               |
| 4          | <b>Caster</b>                          | N/A              |
| N/A        | <b>Rear Hub Toe</b>                    | 0                |
| -0.5/side  | <b>Toe (Total)</b>                     | -3/side          |
| stock      | <b>Hex Spacing</b>                     | stock            |
| 1.5mm      | <b>Wheelbase</b>                       | 1.5mm (centered) |
| short, 1mm | <b>Steering Rack Ball &amp; Shims</b>  | N/A              |
| B          | <b>Steering Block Position</b>         | N/A              |
| short, 0mm | <b>Steering Block Ball &amp; Shims</b> | N/A              |

**Notes:**

| Suspension Geometry |                               |                     |
|---------------------|-------------------------------|---------------------|
| 3B                  | <b>Shock Position</b>         | 3, outer on TC4 arm |
| 2                   | <b>Camber Link Position</b>   | 2A                  |
| short, 2mm          | <b>Inner Ball &amp; Shims</b> | short, 2mm          |
| short, 1mm          | <b>Outer Ball &amp; Shims</b> | short, 2mm          |
| +2 dot              | <b>Outer Arm Mount Insert</b> | +2 dot              |
| 0.5mm               | <b>Outer Mount Shims</b>      | 1mm                 |
| +2 dot              | <b>Inner Arm Mount Insert</b> | +2 dot              |
| 1mm                 | <b>Inner Mount Shims</b>      | 1mm                 |
| 2mm ORH             | <b>Droop</b>                  | 2mm ORH             |
| TC6.1/2 White       | <b>Anti-Roll Bar</b>          | TC6.1/2 yellow      |

**Notes:** TC4 rear arms, TC6 rear hubs, ORH = Over Ride Height

| Shocks   |                |          |
|----------|----------------|----------|
| 500 cst  | <b>Oil</b>     | 400 cst  |
| 3x1.15mm | <b>Piston</b>  | 3x1.15mm |
| 0        | <b>Rebound</b> | 0        |
| Yok Pink | <b>Spring</b>  | Yok Blue |

**Notes:** RSD Bladders, Drilled Caps

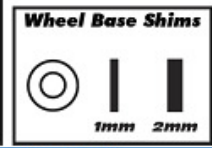
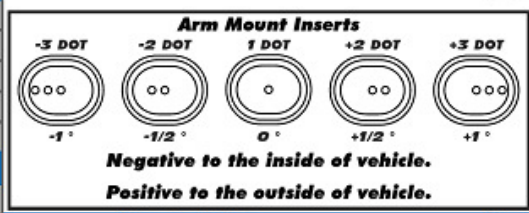
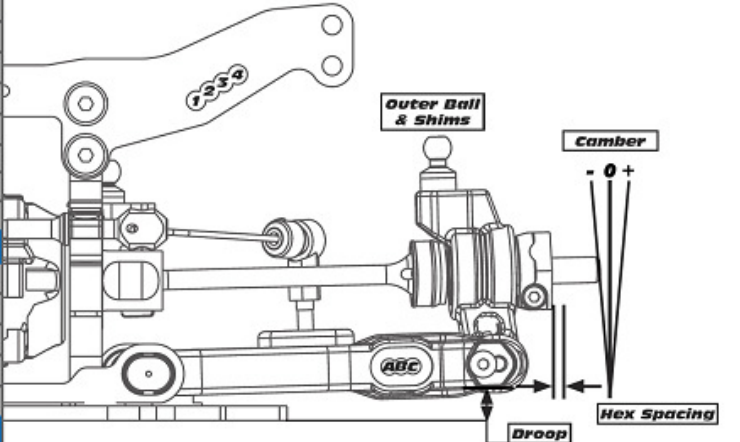
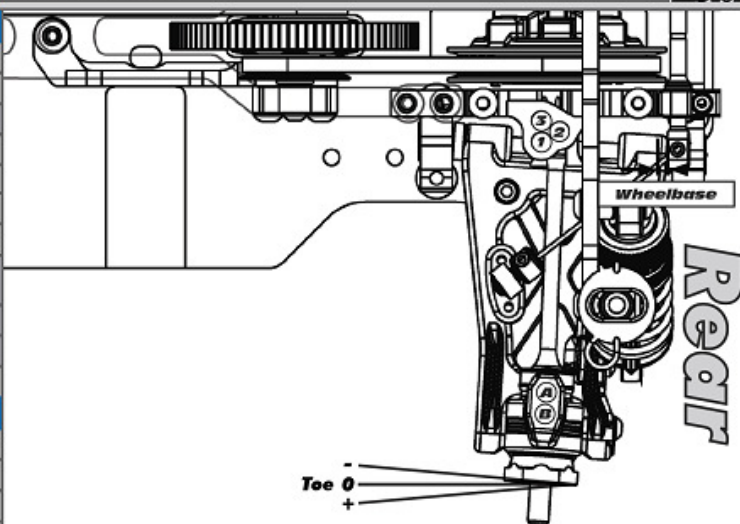
| Differentials |                            |            |
|---------------|----------------------------|------------|
| Spool         | <b>Type</b>                | Gear Diff. |
|               | <b>Setting</b>             | 1K cst     |
| mid low       | <b>Cam Position</b>        | mid low    |
|               | <b>Belt Tension Number</b> |            |

**Notes:** Front DCVs, Steel Front Outdrives, Belt Tensioner

| Tires     |                              |  |
|-----------|------------------------------|--|
| Jaco Blue | <b>Type</b>                  |  |
|           | <b>Tire Diameter</b>         |  |
|           | <b>Insert &amp; Wheel</b>    |  |
| SXT 3.0   | <b>Additive &amp; Amount</b> |  |

**Notes:** 10min, Full Front and Rears

| Chassis |                   |                    |
|---------|-------------------|--------------------|
|         | <b>Chassis</b>    | Stock              |
|         | <b>Top Plate:</b> | Stock, All Screws  |
|         | <b>Notes:</b>     | Stock Front Bumper |



| Transmitter            |   | Speed Control            |         |
|------------------------|---|--------------------------|---------|
| <b>Turning Circle:</b> |   | <b>E.S.C. Type:</b>      |         |
| <b>Steering Expo:</b>  | 0 | <b>E.S.C. Settings:</b>  | 0 Boost |
| <b>Brake E.P. :</b>    | 0 | <b>Software Version:</b> |         |
| <b>Throttle Expo:</b>  | 0 | <b>Notes:</b>            |         |

| Motor         |       | Gearing       |        |
|---------------|-------|---------------|--------|
| Reedy 5.5     |       | 115           | / 30   |
| <b>Notes:</b> | 32deg | <b>Notes:</b> | 7.67:1 |

| Battery Placement |                     | Body & Wing                  |                             |
|-------------------|---------------------|------------------------------|-----------------------------|
| Reedy 313         |                     | LW Speed6, Thick PF STD Wing |                             |
| <b>Notes:</b>     | Forward, Plugs Back | <b>Notes:</b>                | 3rd Front Body Support Post |