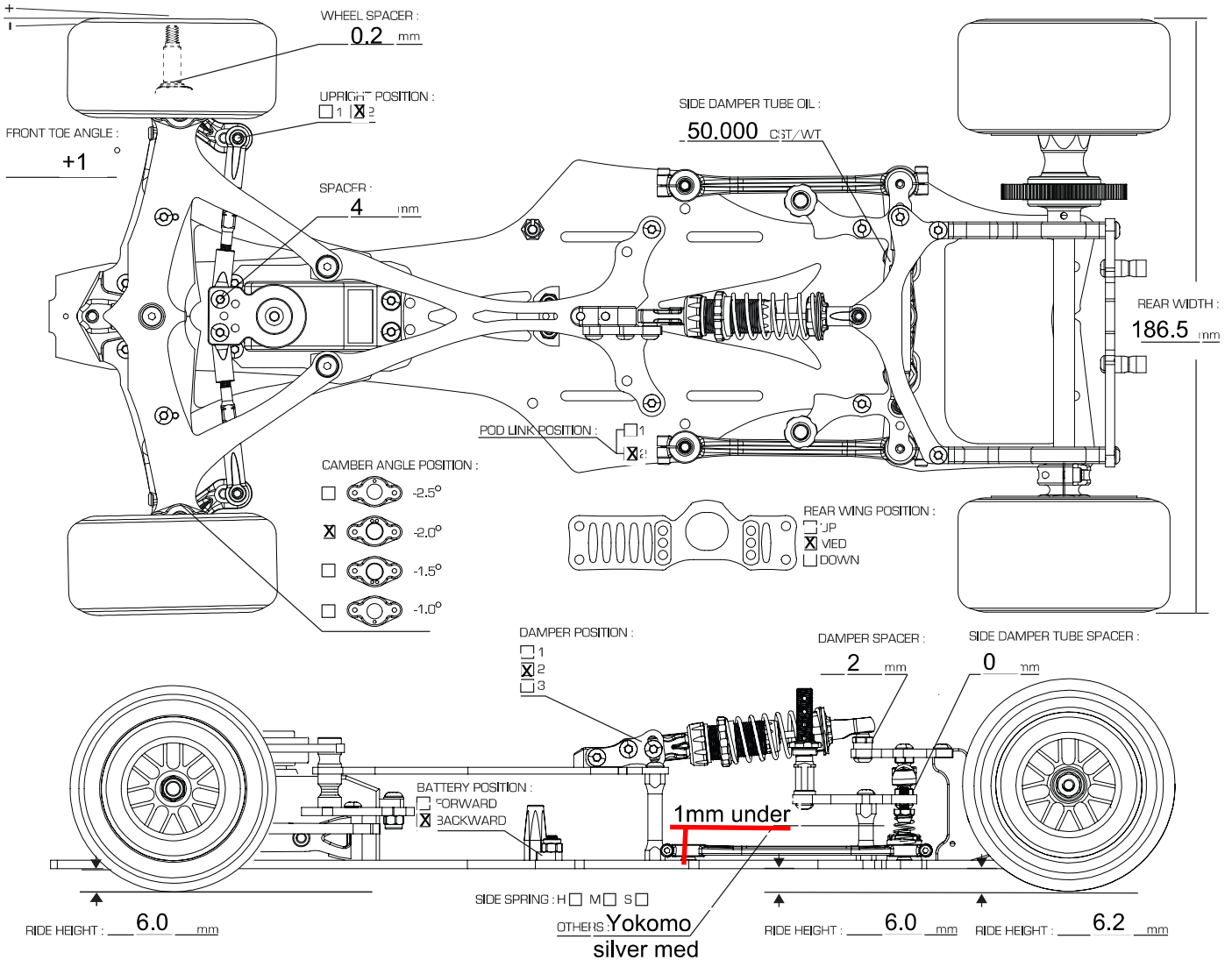
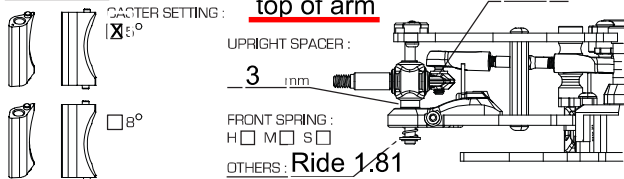




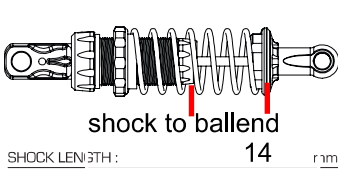
**SETUP SHEET**



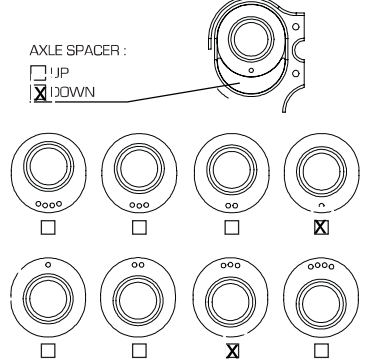
**FRONT**



**TBX SHOCK**



**REAR AXLE**



**FRONT TIRES**

TIRE : Ride ETS

DIAMETER : \_\_\_\_\_ mm

WHEEL : Ride ETS

TIRE TREATMENT : Hudy ETS

TREATMENT TIME : 30 Min, 58°C

**FULL FULL**

SURFACE TREATED : \_\_\_\_\_

NOTES : \_\_\_\_\_

**REAR TIRES**

TIRE : Ride ETS

DIAMETER : \_\_\_\_\_ mm

WHEEL : Ride ETS

TIRE TREATMENT : Hudy ETS

TREATMENT TIME : 30 Min, 58°C

**FULL FULL**

SURFACE TREATED : \_\_\_\_\_

NOTES : \_\_\_\_\_

MOTOR : Hobbyw. 21.5 ROTOR : \_\_\_\_\_ TIMING : \_\_\_\_\_

SPUR : 64 PITCH / 90 T. PINION : 64 PITCH / 33 T. ROLLOUT : \_\_\_\_\_

ESC : Hobbyw. ETS SETUP : 20% dragb. BATTERY : SLS shorty

STEERING EXPO : \_\_\_\_\_ BRAKE E.P. : \_\_\_\_\_ THROTTLE EXPO : \_\_\_\_\_

BODY : Yokomo high nose WEIGHT : 1095g

REMARKS : Radio Mix: 25% break on steering