

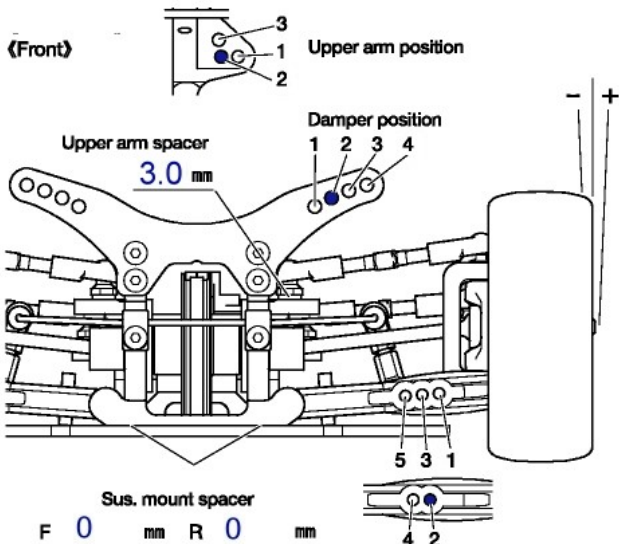
HIGH PERFORMANCE R/C MODEL FOR ADVANCED USER

TRF415MSX

SETTING SHEET セッティングシート

Name **Jason Wakefield** Date **4th February 2006** Air temp. **38c** Humidity **high**

Track **Logan - Summer Cup** Track condition **Asphalt - low grip, dusty, a bit bumpy** Track temp.

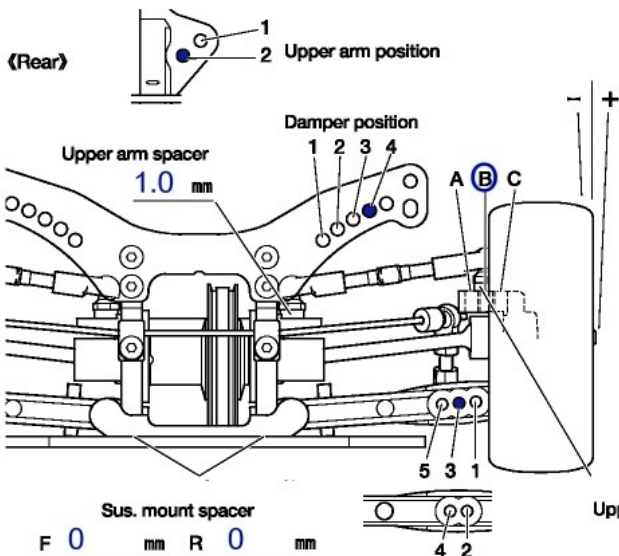


Front axle	2° 4
Camber angle	1.0 °
Ground clearance	5.0 mm
Rebound stroke	2.5 mm
Front drive	One-way Direct
Stabilizer	none S M H
Wheel spacer	0.5 mm



Urethane bushing	1	Piece(s)
O-ring (black)		Piece(s)
O-ring (transparent)		Piece(s)
Piston	3	hole(s)
Oil	40	#
Spring	Schumacher Green	

Memo **5mm wheel hex**



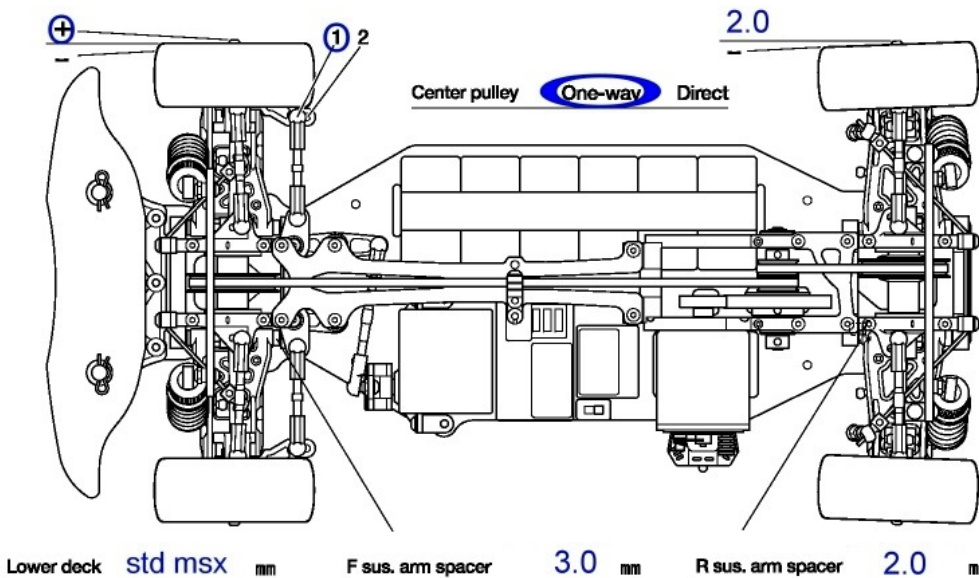
Rear axle	0 °
Camber angle	1.0 °
Ground clearance	6.0 mm
Rebound stroke	3.0 mm
Stabilizer	none S M H
Wheel spacer	0.5 mm



Urethane bushing	1	Piece(s)
O-ring (black)		Piece(s)
O-ring (transparent)		Piece(s)
Piston	3	hole(s)
Oil	40	#
Spring	Schumacher Blue	

Memo **5mm wheel hex**

Toe angle (front) **0.5** F sus. mount Front **A** Rear **XB** R sus. mount Front **XB** Rear **B**



Motor	DC 19T
Spur gear	75
Pinion gear	29
Battery	Harris 3700GP
Body	Mazda 6
Wing	std
Tire	Sorex 36
Wheel	Yokomo
Tire insert	Sorex B Med
Best lap	