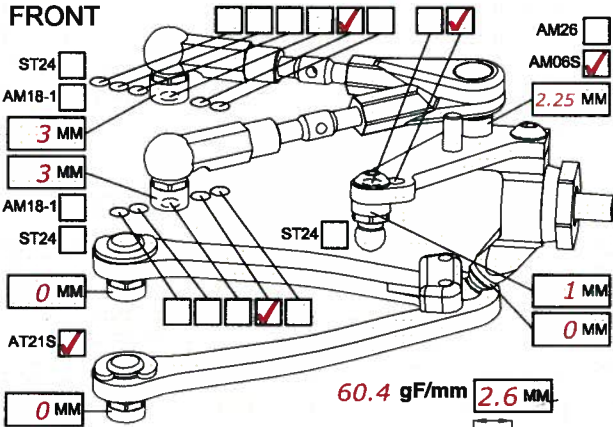
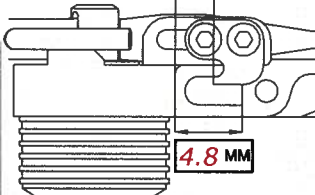


NAME *John Choi*
 COUNTRY *USA*
 RACE *The Halloween Classic 2013*
 TRACK *The Gate (Cleveland, OH)*

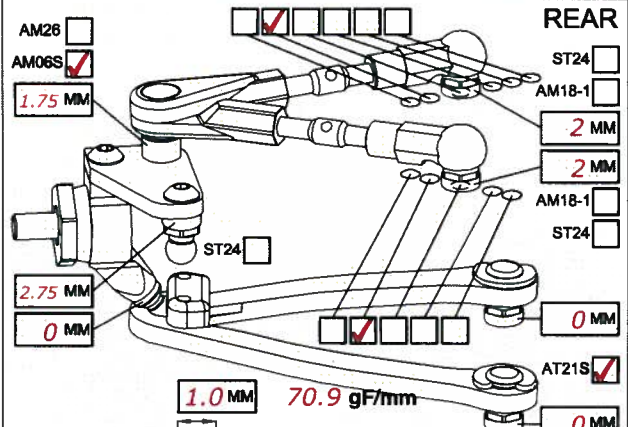
DATE *10/25 - 10/27* TEMP. °C AIR/TRACK °C / °C
 TRACK CONDITION TECHNICAL MIXED FAST
 TRACTION LOW MEDIUM HIGH



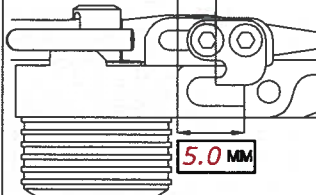
CAMBER ANGLE / ° *1.5*
 CASTER ANGLE / ° *4*
 TOE ANGLE / ° *1 Out*
 RIDE HEIGHT / MM *5.2*
 DOWNSTOP / MM *1.5 ORH*
 UPSTOP / MM *NA*



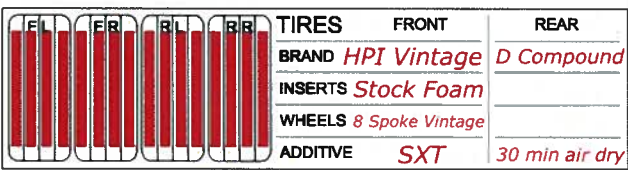
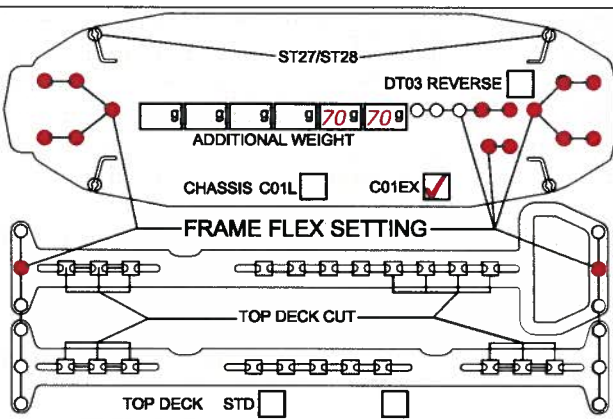
STABILIZER Ø / MM *1.1*
 LOW ARM STD DAMPER #6 #3
 STEERING ARM STD ACTION SYM. ASYM.
 WHEEL SPACER / MM *1* SRS/RHS ARR. I II
 FRONT DRIVE BALL DIFF GEAR DIFF SPOOL ONE-WAY
 DIFF SET LOOSE MEDIUM TIGHT OIL #
 DOGBONE DRIVE BUSHING C-DRIVE BB EVD



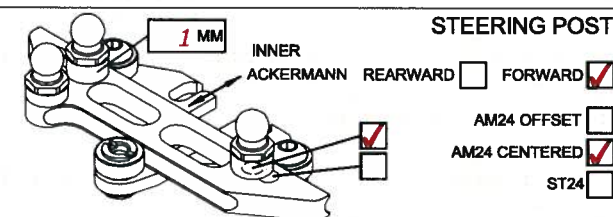
CAMBER ANGLE / ° *2.0*
 CASTER ANGLE / ° *0*
 TOE ANGLE / ° *2.5 In*
 RIDE HEIGHT / MM *5.2*
 DOWNSTOP / MM *2.0 ORH*
 UPSTOP / MM *NA*



SPRING STD S
 DAMPER #6 #3
 ACTION SYM. ASYM.
 SRS/RHS ARR. I II
 REAR DRIVE BALL DIFF GEAR DIFF
 DIFF SET LOOSE MEDIUM TIGHT OIL # *2000*
 DOGBONE DRIVE BUSHING C-DRIVE BB EVD



MOTOR LAYOUT LONG TRANS. MOTOR *Novak Ballistic Boss*
 SERVO LAYOUT LEFT RIGHT SERVO *SRG-BL*
 ESC LAYOUT LEFT RIGHT ESC *ORCA VX*
 BAT. LAYOUT R1 R2 F1 F2 BATTERY *EAM 5000mAh*
 SPUR *79* PINION *45* RECEIVER *RX-471*
 FINAL DRIVE RATIO *3.65* MOTOR OFFSET / MM *0*
 BODY *Protoform J71* WING *NA*



BEST LAP TIME *10.925* QUALIF. / FINAL POSITION *1 / 2*
 ESC SETTING *Blinky (Software 3.0)*
 COMMENTS / IMPRESSIONS *AM19 front and rear.*
Additional weight: 30g battery side rear and 22g (motor fan w/ alum mount). Motor timing set at 40 degrees. Outer hole rear hub.
 CONTACT