

Front Suspension

Ride Height: 4.2 **Camber:** 2
Droop: .5 **Toe:** .5 out

Front Arms

Upper Kingpin Shims

0, T3 Ball end kingpin

Lower Kingpin Shims

0

Steering Block Type

 Offset Inline

Axle Shims

None

Upper Arm Mount Spacer

2mm

Lower Arm Spacer

0

Spring: .018"/4 shims under spring

Lube: SpeedMerchant Blue Spoooge

Bumpsteer Ball & Shims

Tall/1.5mm

Ride Height Spacing

1.5mm

Front End Width

 Narrow
 Wide

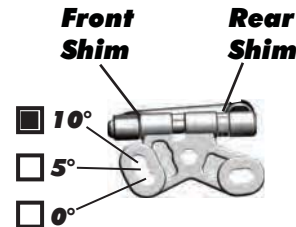
Drilled mid ball stud mount hole in the inline steering arm

Wheel Base

 Short Mid Long

FR Shim RR Shim

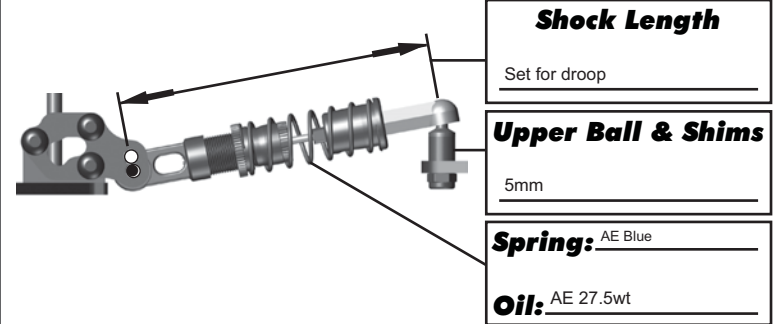
<input type="checkbox"/> 1.80°	Thick	Thin
<input checked="" type="checkbox"/> 3.25°	Thin	Thick
<input type="checkbox"/> 6.15°	-----	Thick, Thin



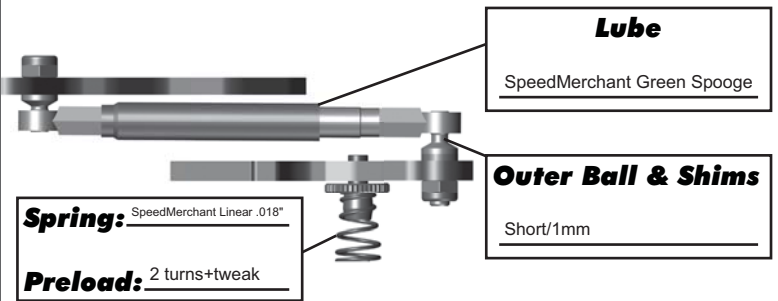
Rear Suspension

Ride Height: 4.2 **Droop:** 1.5mm
Ride Height Adjuster: 1mm IRS Up **Axle Width:** Kit spec

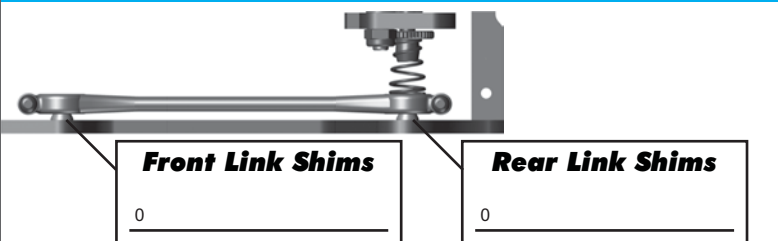
Center Shock



Damper Tubes & Side Springs



Rear Pod Links

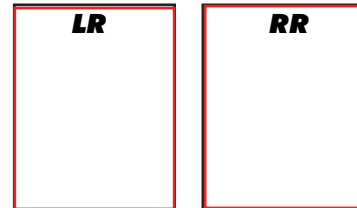
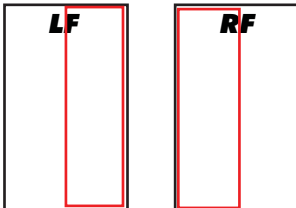


Front Tires

Tire: BSR WGT Spec
Diameter: 52mm
Additive Type: SXT 3.0
Additive Amount: 1/2 inner
Additive Time: 5 min

Rear Tires

Tire: BSR WGT Spec
Diameter: 52.2mm
Additive Type: SXT 3.0
Additive Amount: Full
Additive Time: 5 min



Body

Body Type: Protoform Sophia
Notes: Mounted with front wheel in center of opening. Rear wing cut just inside mold lines. Height of rear wing cut down 5mm between the side plates. This greatly improved mid corner rotation and corner speed.

Race and Vehicle Comments

Qualify: 3 **Main:** A **Finish:** 2 **TQ:** _____
Comments: The car is very fast, smooth and very easy to drive.
 Down on power/top speed. Getting new motor and Batts for this weekend.

Motor/Battery

Motor: Trinity D3/Blue 12.5mm High Torque Rotor
Timing: Max **Gearing:** 45 / 88
Rollout: 84mm
Battery: IP 5600 50c
Battery Position: FWD MID BACK

Radio

Radio: Futaba 4PL
Turning Circle: 3.5'
Steering Expo: -15%
Brake E.P.: 100
Throttle Expo: None

Speed Control

S.C. Type: Hobbywing Xerun 120A 1S
S.C. Settings: Blinky/No Timing, Punch 9, Brakes 100%, LVC Disabled
S.C. Software: 508v1
Notes: _____

Track Info

Traction: High Medium Low
Surface: Carpet Asphalt
 Smooth Bumpy
Other: _____