

# YZ-4 SF

## SETTING SHEET Ver.01

### CIRCUIT

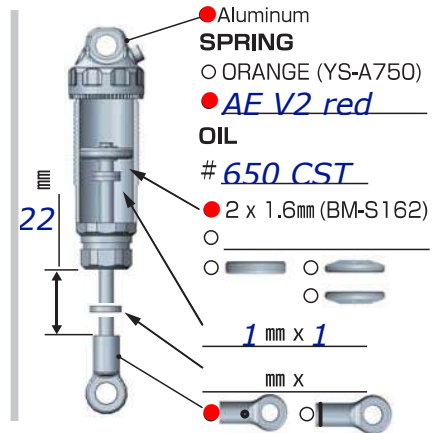
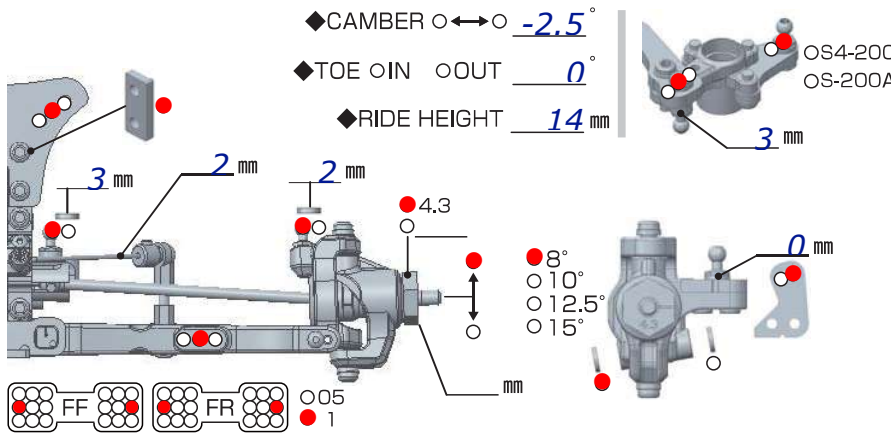
- INDOOR  OUTDOOR
- ODIRT  OASTROTURF  CARPET  OGRASS  OWOOD
- OWET  ODRY  ODUSTY  SMOOTH  OBUMPY
- OHARD PACKED  OCLAY  OBLUE GROOVE  \_\_\_\_\_
- OLOW TRACTION  OMED TRACTION  HIGH TRACTION

DRIVER \_\_\_\_\_

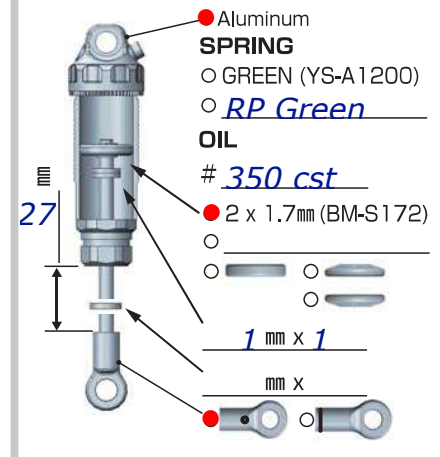
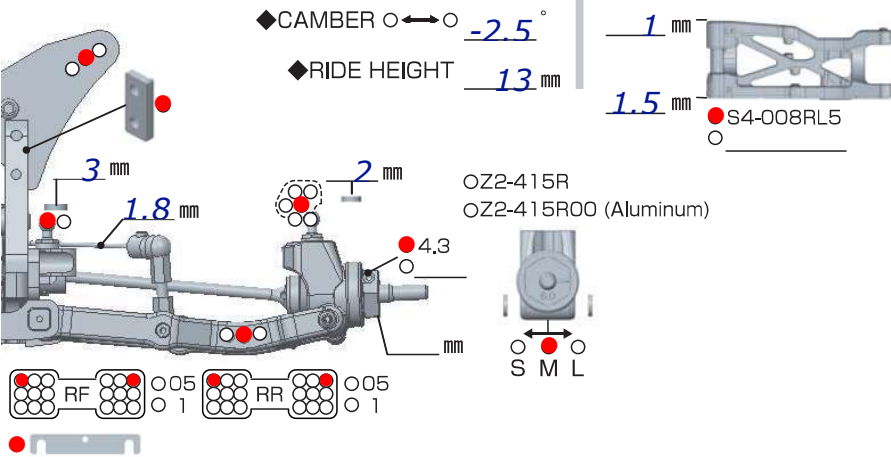
DATE \_\_\_\_\_

### FRONT

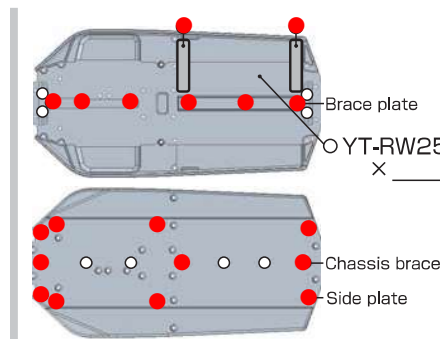
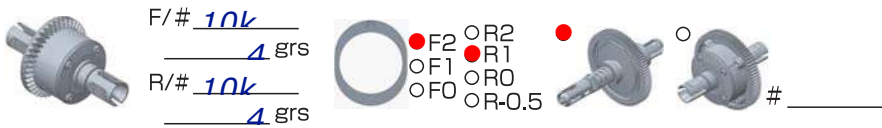
PartNo.com  
AMO



### REAR



### DRIVE



MOTOR ⇨ Muchmore Fleta 13.5 Rotor \_\_\_\_\_ mm

GEAR ⇨ Spur 75T / Pinion 24 T :  $\circ$  2.5 /  $\circ$  2.35

BATTERY ⇨ Maclan LCG

ESC  YOKOMO RPX  YOKOMO BL-PRO4

Orion R10.1

### TIRE

**FRONT**

TIRE ⇨ Cactus Fusion Yellow

INSERTS ⇨ Schumacher

WHEELS ⇨ Yokomo

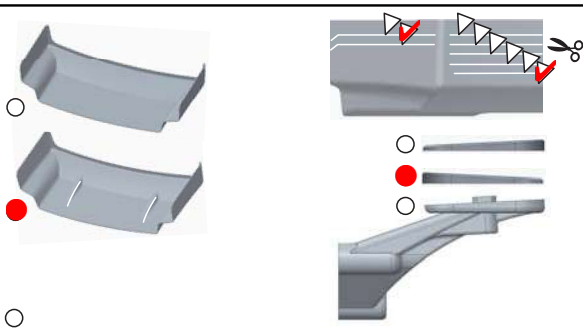
**REAR**

TIRE ⇨ Cactus Yellow

INSERTS ⇨ Schumacher

WHEELS ⇨ Yokomo

### OTHER



Rear Shock eyes screwed all the way in  
Rear tires removed inner and outer pins

COMMENT