

Front Suspension:

Ride Height: 23
 Camber: -1
 Toe: 1
 Arm Type: flat
 Tower Type: flat
 Caster Block Insert: 5
 Bulkhead Type: plastic
 Kick-Up Angle: 25
 Wheel Hex: standard

Anti Roll Bar:
 None
 White (0.8mm)
 Gray (0.9mm)
 Blue (1.0mm)
 Other: _____

Bump Steer Spacing: 2mm

Axle Height:
 +3
 +2
 +1
 0

Ball Stud Spacing: 2

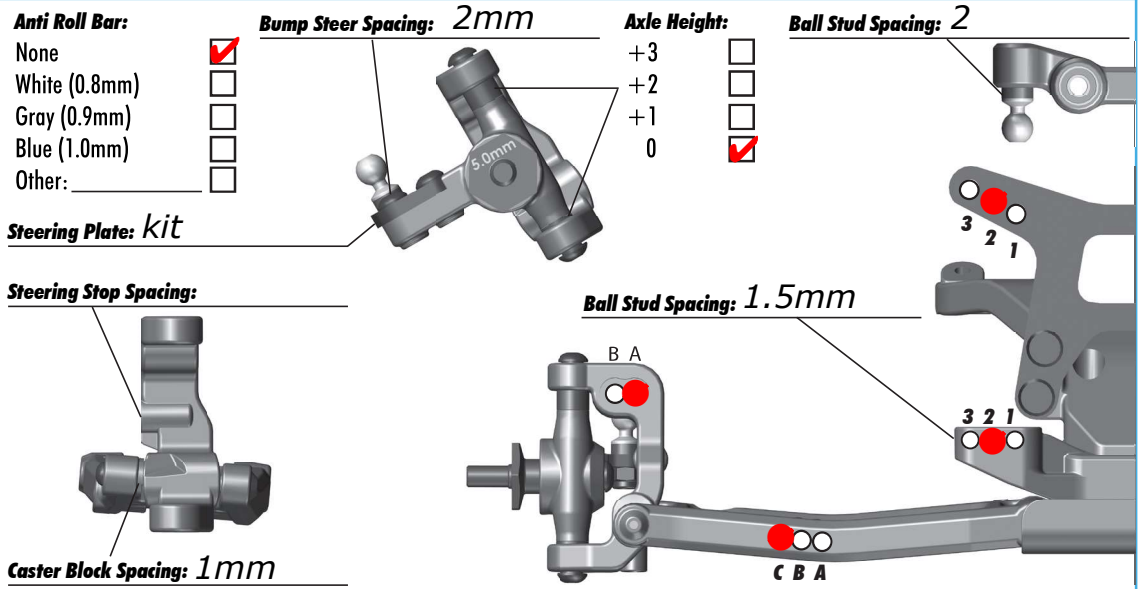
Steering Plate: kit

Steering Stop Spacing: _____

Ball Stud Spacing: 1.5mm

Notes: _____

Caster Block Spacing: 1mm

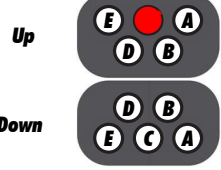


Rear Suspension:

Ride Height: 23
 Camber: -1
 Wheel Hex: 7mm
 Hub Spacing:
 Forward Middle Back

Anti Roll Bar:
 None
 White (1.2mm)
 Gray (1.3mm)
 Blue (1.4mm)
 Other: _____

Rear Hub Link Setting:



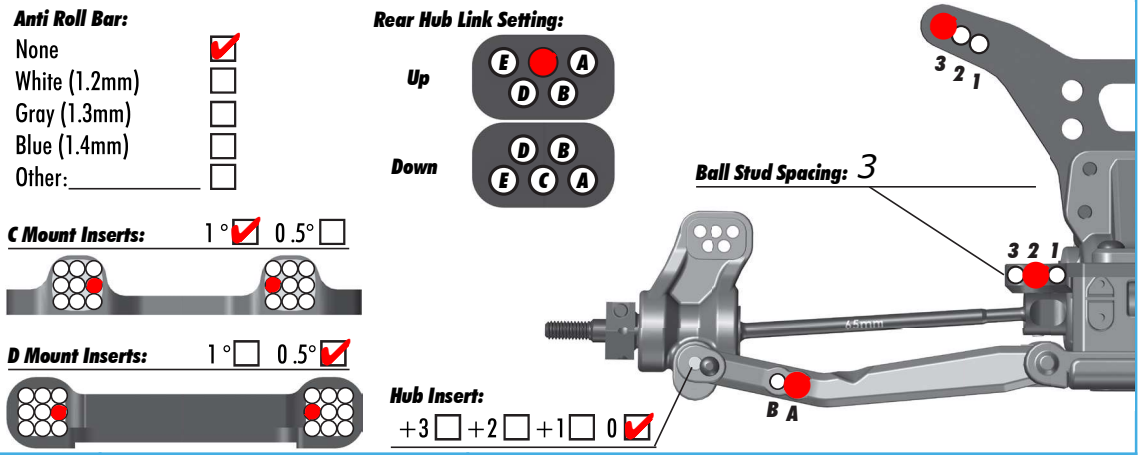
Front of Arm Rear of Arm

C Mount Inserts: 1° 0.5°

D Mount Inserts: 1° 0.5°

Hub Insert:
 +3 +2 +1 0

Notes: _____



Electronics:

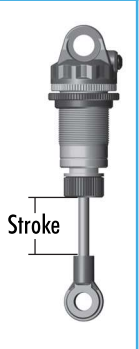
Radio: MT-S Servo: Savox LP
 EPA: Throttle: _____ % Brake: _____ %
 ESC: HW XR-10 Justock
 ESC Settings:
 Motor: mach4
 Wind: 17.5 Timing: 45
 Pinion: 32 Spur: 69
 Battery: Protek 4250 HV
 Battery Position: back

Drivetrain:

Transmission:
 3 Gear: 4 Gear:
 Stand Up: Lay Down:
 Differential:
 Ball Diff: Gear Diff:
 Notes: _____
 Slipper Clutch:
 Type: kit
 # of Pads: 2

Shocks:

	Front	Rear
Piston:	1x6	1x7
Fluid:	32.5	27.5
Spring:	grey	green
Limiters:		
Stroke:	21	28
Eyelet Length:	long	short
Cup Offset:	5mm	5mm
Notes:		



Track Info:

Size: Small Medium Large Extra Large
 Surface: Dirt Carpet Astroturf Multi Surface
 Traction: Low Medium High Very High
 Moisture: Dry Damp Wet
 Condition: Indoor Outdoor Dusty Hard Packed
 Bumpy Grooved Smooth Loamy
 Temperature: Ambient: _____ Track: _____
 Notes: 10g under spur 30mm fan

Tires:

Front Tires: typo
 Front Compound: clay
 Front Insert: aka red
 Rear Tires: crosslink
 Rear Compound: clay
 Rear Insert: aka red
 Wheel (F/R): aka
 Notes: _____

Body, Wing, Weight

Body: kit
 Wing: kit
 Wing Angle: 0° 3° 6°
 Servo Weights:
 None Aluminum Steel Other
 Electronic Weights:
 None Aluminum Steel Other
 Total Vehicle Weight: 1537

Vehicle Comments: