

Name: Kyle Rhodes

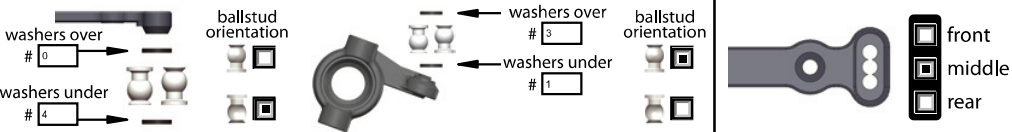
Date: 2-21-16

Event: Motorama 2016

Track: Indoor Outdoor **Size:** Small Medium Large **Traction:** Low Med High

Surface: Smooth Bumpy Rutted **Type:** Loose/Loamy Hard Pack Blue Groove Clay

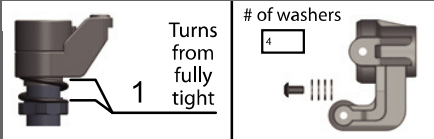
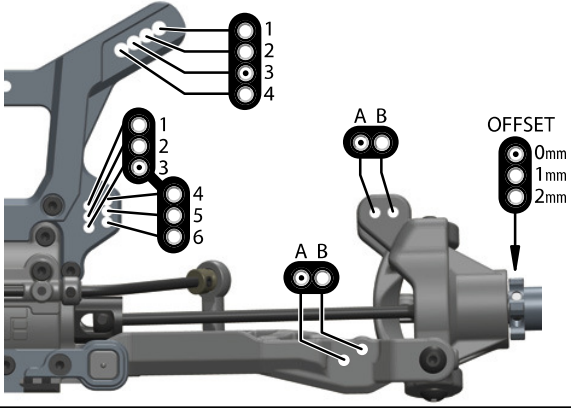
Bumpsteer/Ackerman/Servo Saver/Steering Stop: Condition: Dusty Dry Wet Muddy



Shocks:

	FRONT	REAR
OIL	32.5	35
BRAND	Losi	Losi
PISTON	4x1.8	4x1.8
SPRING	Black	Orange
REBOUND	100 %	50 %
STD/EMUL/VENT	Vent	Vent

Front End:

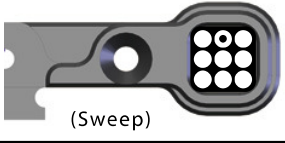


Suspension:

	FRONT	REAR
RIDE HEIGHT	28mm	28mm
CAMBER	-2	-2
CASTER	15	
SWEEP		
KICK UP		
ANTI-SQUAT		
TOE (in/out)	0	2
SWAY BAR	2.4mm	2.5mm
SHOCK LENGTH (DROOP)	118	135

Tires / Wheels:

	FRONT	REAR
BRAND/TREAD	PL Holeshot	PL Holeshot
COMPOUND	M3	M3
INSERT	Stock	Stock
WHEEL	PL V2	PL V2



"A" Block
(0° WITH CENTER DOT INSERT)

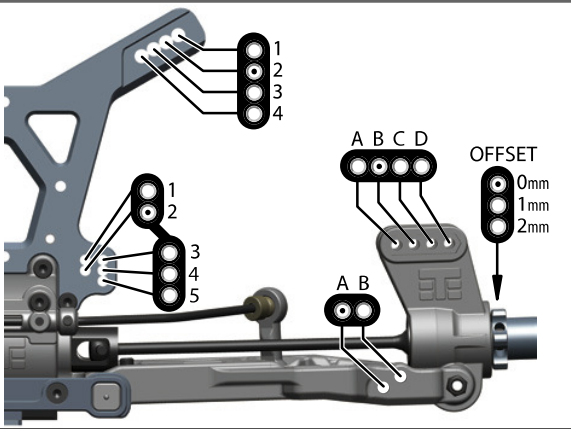


"B" Block
(10° WITH CENTER DOT INSERT)

Differential Oil:

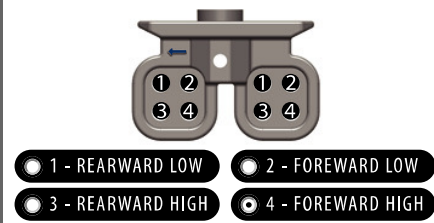
	FRONT	CENTER	REAR
	10K	7K	10K

Rear End:

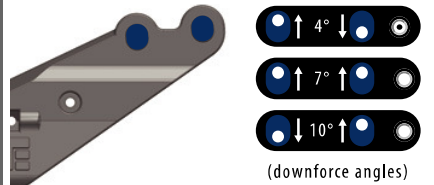


	FRONT	REAR
BODY MAKE	Stock Tekno	
WING MAKE	Stock Tekno	

POSITION SETTINGS

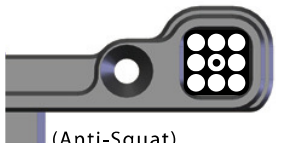


DOWNFORCE SETTINGS



Electronics:

ESC:	Tekin RX8
BATTERY:	Team Scream
MOTOR:	Tekin 2050
RADIO:	Futaba 4PKSR
SERVO:	Savox 2271



"C" Block
(2° WITH CENTER DOT INSERT)

Drivetrain:

PINION SIZE	17	(teeth)
-------------	----	---------

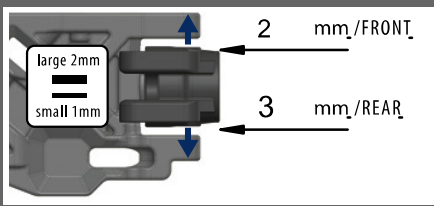
Chassis Braces:

Front <input type="checkbox"/>	Middle <input type="checkbox"/>	Rear <input type="checkbox"/>
(front brace is always recommended)		



"D" Block
(3° WITH CENTER DOT INSERT)

Wheelbase:



Notes:

- Universal driveshafts
- Arms cut at hinge pins

