

Front Suspension:

Camber: -1

Total Toe: 0

Ride Height: 24 mm

Arm Type: Flat Hard

Tower Type: Flat Hard

Caster Block Insert: 5

Kick-Up Angle: 25

Notes:

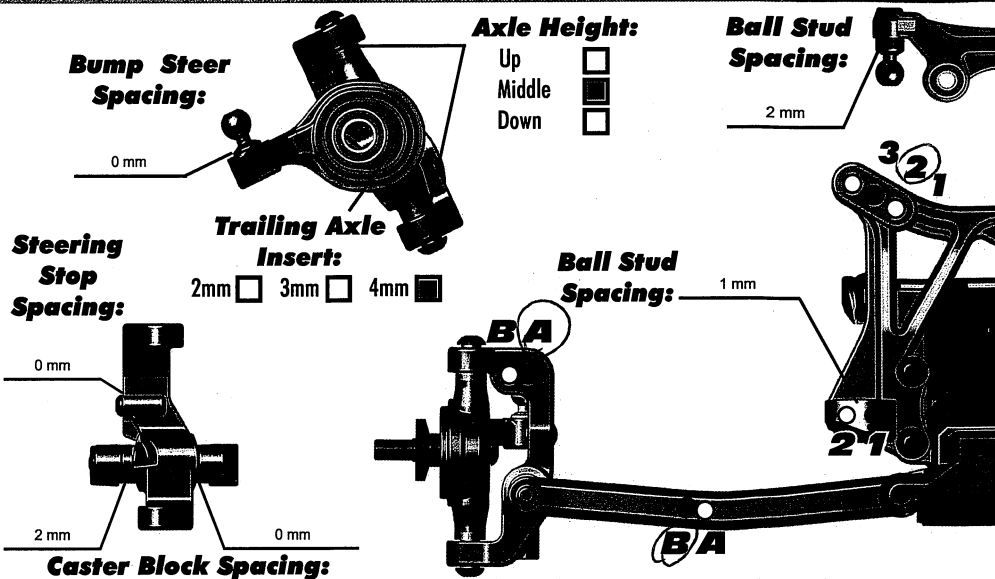
Will Probably Try:

Hard Castor Block

Hard Steering Block

2 mm crush tube spacer

Chapstick on Turnbuckles prior to assembly



Rear Suspension:

Camber: -1 mm

Ride Height: 24 mm

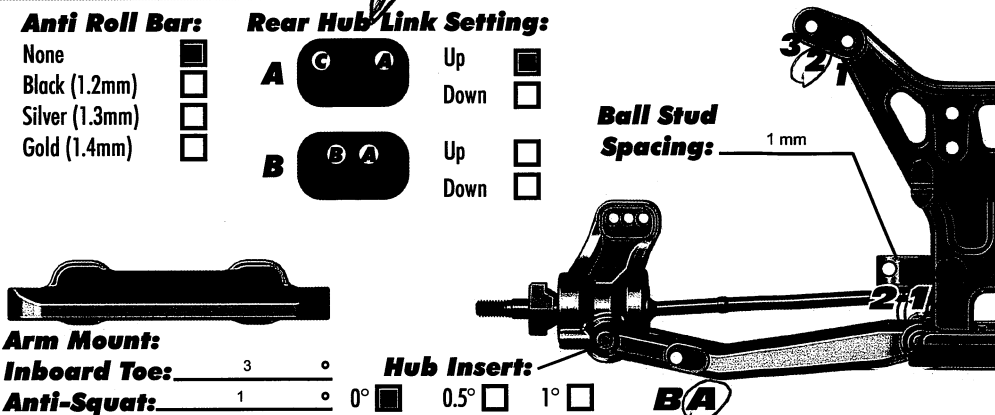
Hub Spacing: Forward Middle Back

Notes:

Probably Try:

Forward Hub Spacing

Flat Rear Arms Hard



Electronics:

Radio: MT4S **Servo:** Savox SC-1258TG

EPA: Throttle: 100 % **Brake:** 100 %

ESC: Hobbywing Xtreme (Similar to Justock)

ESC Settings:

Motor: Schurr Speed 17.5

Wind: 17.5 **Timing:** 38

Pinion: 31 **Spur:** 69

Battery: Promatch Shorty 4800

Battery Position: Rear

Drivetrain:

Differential: Ball: Setting: Try Tight and Standard

Gear:

Oil:

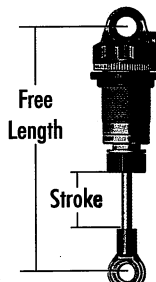
Slipper Clutch: Type: Stock

of Pads: 2

Notes:

Shocks:

	Front	Rear
Piston:	3 x 1.4 Flat	2 x 1.6 Flat
Oil:	35	30
Spring:	Gray	White
Limiters:	2	2
Cup Offset:	5 mm	5 mm
Stroke:	20.5 mm	26.5 mm
Free Length:		
Notes:		



Track Info:

Size: Small Medium Large Extra Large

Surfaces: Dirt Carpet Astroturf Multi Surface

Traction: Low Medium High Very High

Moisture: Dry Damp Wet

Condition: Indoor Outdoor Dusty Hard Packed Bumpy Grooved Smooth Loamy

Temperature: Ambient: _____ Track: _____

Notes:

Tires:

Tires (F/R): AKA Typo / AKA Typo

Compound (F/R): Clay / Clay

Insert (F/R): AKA ?? / AKA ??

Wheel (F/R): Team Stock / Team Stock

Notes:

Body & Wing:

Body: _____

Wing: _____

Wing Angle: 0° 3° 6°

Notes:

Race Results:

Qualify: _____ **Main:** _____

Finish: _____ **TQ:**

Best Lap Time: _____

Vehicle Comments:

Total Vehicle Weight: _____