

Name **Andy Moore**

Date **2/3/14**

Event **ETS Gran Canaria**

Temp **Air 20** Track

Track **Gran Canaria**

Track Condition Indoor Tight Smooth Wet Low Bite High Bite
Outdoor Open Rough Dusty Med Bite Other

Front

Ride Height 5.2 mm

Camber Angle 1.5 °

Drop 8.5 mm **Sway bar** 1.3 mm

Toe Angle -1 ° **Caster Angle** 4 °

Wheel Spacer 0.5 mm **Wheel Hub** 4 mm

Adjustment charts:
 F/F: 0 1 1.5 2 2.5 3 3.5 4
 F/R one pc: 0 0.5 1 1.5
 F/R two pcs: -1 -0.5 0 0.5 1

Shocks

	Front	Rear
Piston	3x1.1	3x1.1
Oil wt.	450	450
Bladder	std	std
Spring	6542_blue	6542_blue
Shock Length	64 mm	64 mm

Rear

Ride Height 5.4 mm

Camber Angle 2 °

Drop 7.5 mm

Sway bar 1.2 mm

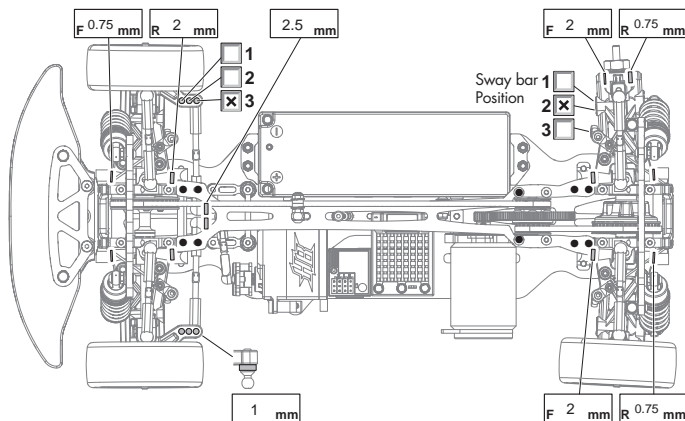
Wheel Spacer 0.5 mm **Wheel Hub** 4 mm

Adjustment charts:
 R/F one pc: 0 0.5 1 1.5
 R/F two pcs: -1 -0.5 0 0.5 1
 R/R: 0 1 1.5 2 2.5 3 3.5 4

Tires

	Front	Rear
Brand	RIDE	RIDE
Compound	34	34
Insert		
Wheel		
Tire Treatment		

Chassis



v2 knuckle, Pro 4 arms, 2.0mm top deck, new rebuildable dcj, tcx motor mount/top deck raised 0.5mm, 20% shock rebound

Note

Diff

	Front	Rear
Type	spool	gear_diff
Note		1000

Motor

Motor	Hobbywing 4.5	Spur Gear	115
Battery	Moorspeed 6200	Pinion Gear	28
Body	Protoform LTCR	ESC	Hobbywing V3.1
Wing	Ride	Note	